

V15H34N6.0

Scroll Vacuum Pump

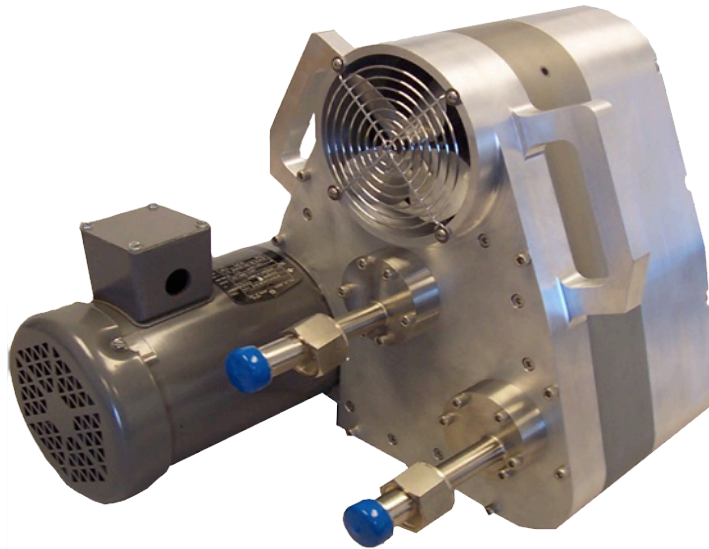
40 Years of Scroll Technology



Certified to
ISO 9001:2008



Precisely Right.



Technical Overview

	US	Europe
Max. Vacuum	< 200 mtorr	< 0.26 mbar
Max. Flow	8 cfm	227 lpm
Rated Power	0.5 hp	373 W
Motor Type	AC	
Avg. Sound Level	55 dB(A)	
Max. Amb. Temp.	104°F	40°C
Model Number	V15H34N6.0	
Part Number	031210	

Contact info@airsquared.com for custom design information or application specific requirements.

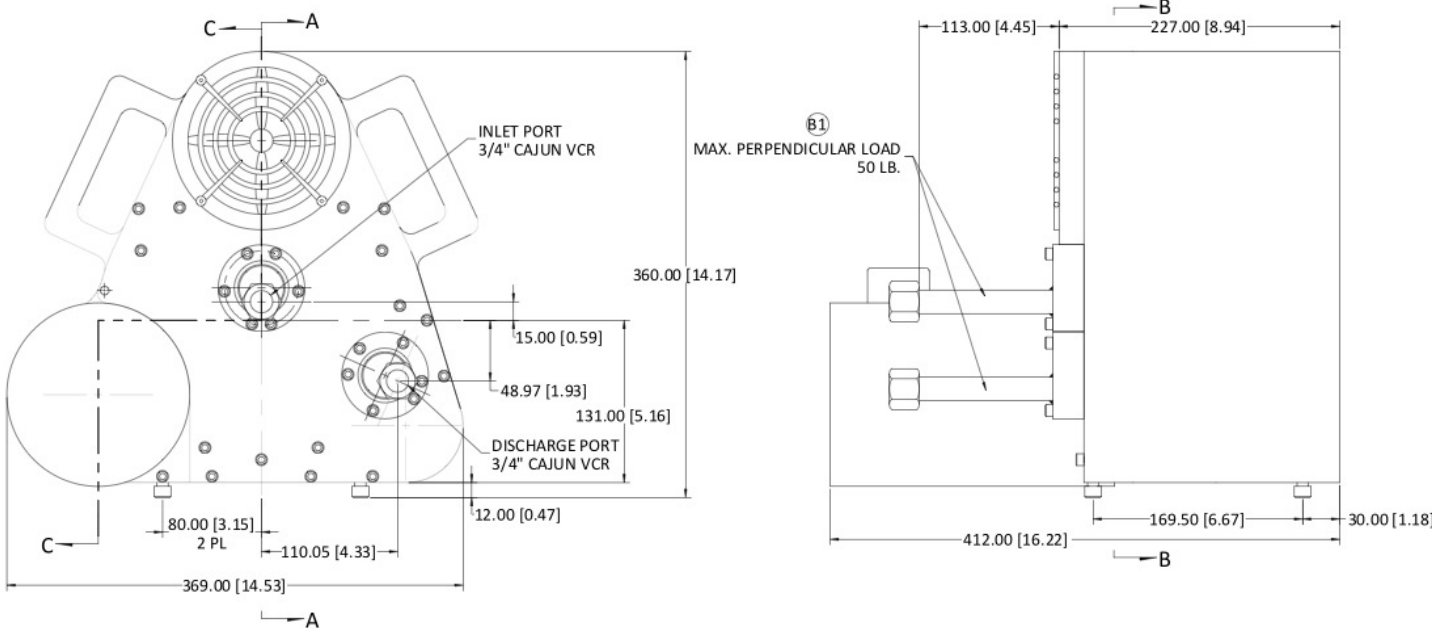
Product Features

- 100% Oil-Free
- Low Sound Levels
- Balanced, Smooth, Rotary Motion
- High Efficiency
- Long Product Life
- Continuous Duty
- Minimal Pulsation
- Hermetic
- Handles Air, Helium, Natural Gas, Oxygen, Hydrogen



V15H34N6.0

Dimensions (mm)



Notes



Air Squared
Manufacturing, Inc.

3001 Industrial Lane #3
Broomfield, CO 80020 USA
Phone: (303) 466-2669
www.airsquared.com