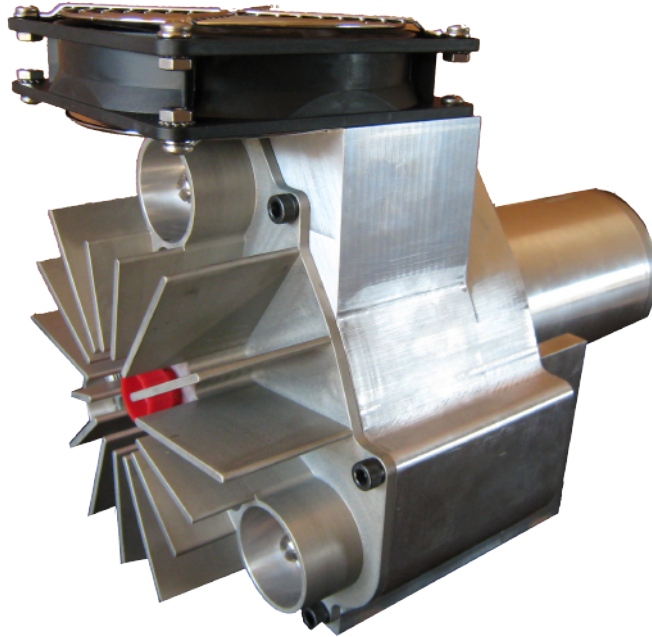


# P13H24N4.0

## Scroll Compressor

40 Years of Scroll Technology



Certified to  
ISO 9001:2008



Precisely Right.

### Technical Overview

	US	Europe
<b>Max. Pressure</b>	80 psig	5.52 barg
<b>Max. Flow</b>	4.6 cfm	130 lpm
<b>Rated Power</b>	0.75 hp	1000 W
<b>Motor Type</b>	BLDC (AC Optional)	
<b>Voltage</b>	24V-48V DC	
<b>Avg. Sound Level</b>	45 dB(A)	
<b>Net Weight</b>	18 lb	8.2 kg
<b>Max. Amb. Temp.</b>	104°F	40°C
<b>Model Number</b>	P13H24N4.0	
<b>Part Number</b>	081020	

Contact [info@airsquared.com](mailto:info@airsquared.com) for custom design information or application specific requirements.

### Product Features

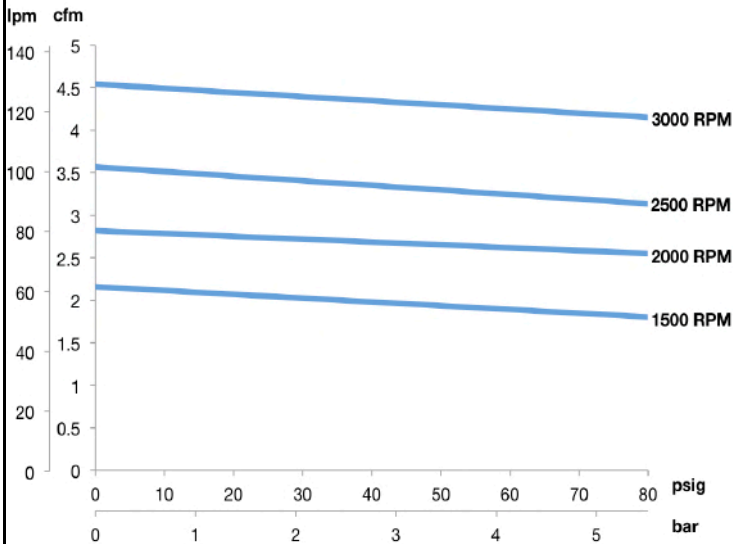
- 100% Oil-Free
- Low Sound Levels
- Balanced, Smooth, Rotary Motion
- High Efficiency
- Long Product Life
- Continuous Duty
- Small Compact Design
- Lightweight
- Minimal Pulsation
- Field Serviceable



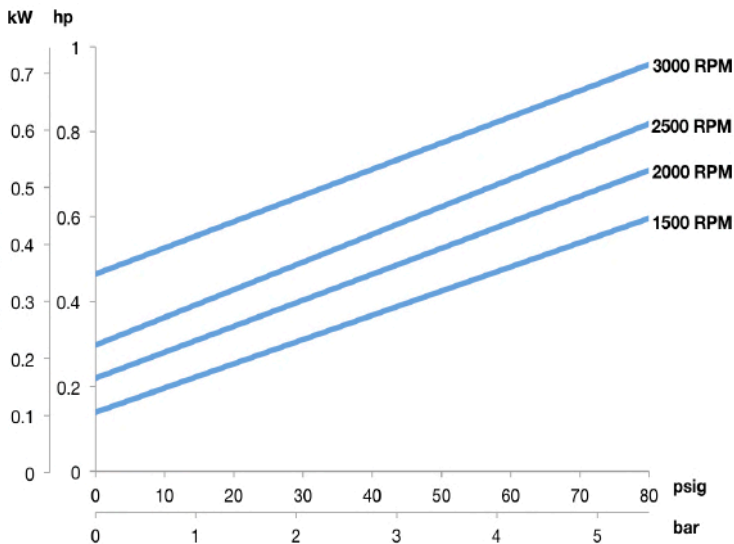
# P13H24N4.0

## Performance Data (U.S., Metric)

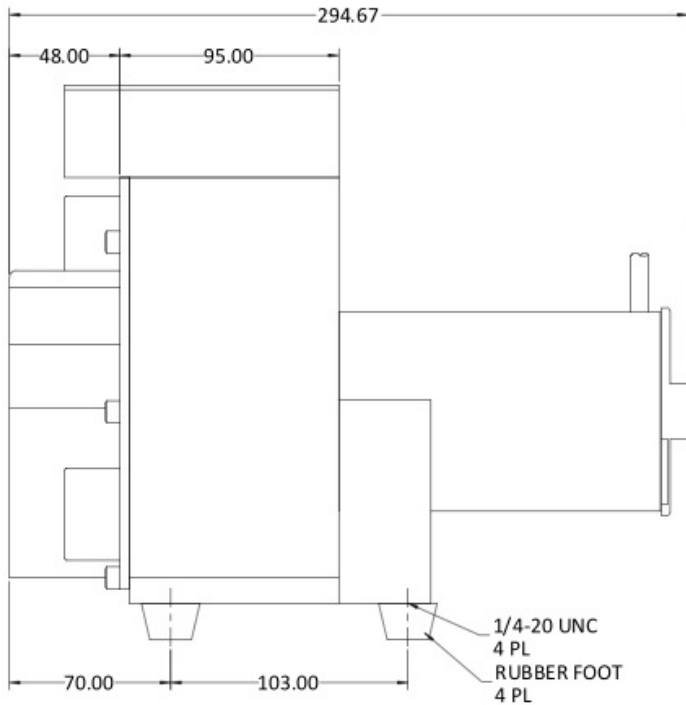
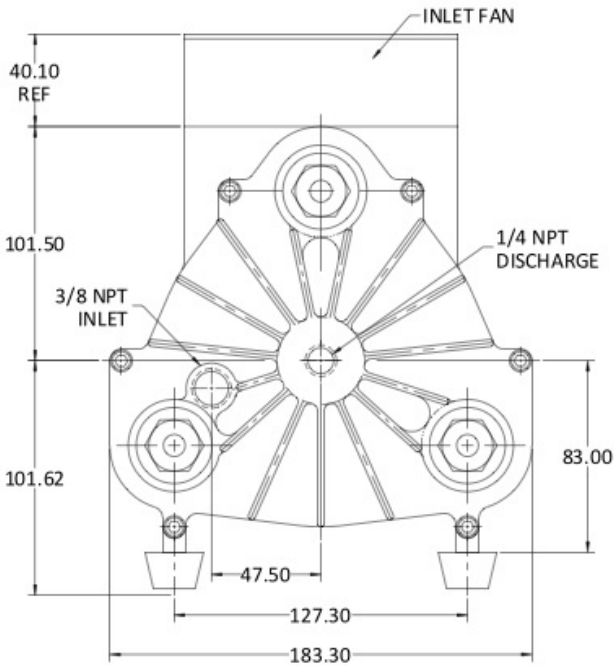
### Flow Characteristics



### Power Consumption



## Dimensions (mm)



## Notes



**Air Squared**  
Manufacturing, Inc.

3001 Industrial Lane #3  
Broomfield, CO 80020 USA  
Phone: (303) 466-2669  
www.airsquared.com