

P08H015A-BLDC-C

Silent Series™ Scroll Compressor

100% Oil-Free

Maintain the purity of your system

Ultra-Quiet, Smooth Operation

Dynamically balanced, valve-less, and near pulsation-free

Compact, Lightweight Design

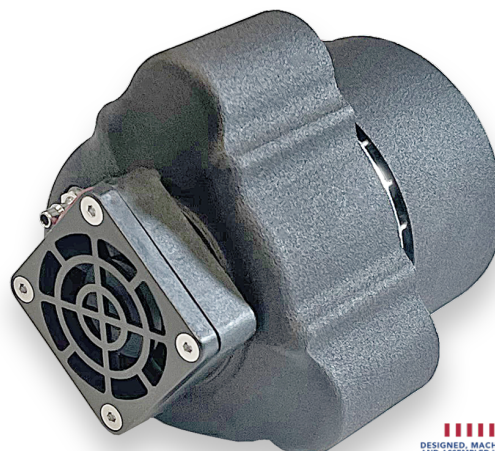
Fewer moving parts than competing technology

Efficient Performance

Continuous compression process with no re-expansion or throttling losses

Variable Speed

Ideal performance over a range of duty cycles – 100% continuous to intermittent



	SI	IMPERIAL
MAX. PRESSURE	2.75 barg	40 psig
VOLUME RATIO	2.75	
MAX. FLOW	30 lpm _v	1.1 cfm _v
DISPLACEMENT	8.4 cm ³ / Rev.	0.51 in ³ / Rev.
MAX. SPEED	4,000 RPM	
RATED CURRENT	10 A	
MOTOR	24 V Brushless DC	
COOLING	24 VDC Attached Fan	
AMBIENT TEMP. RANGE	-20 °C – 40 °C	0 °F – 104 °F
NOMINAL SOUND LEVEL	35 dB(A)	
NET WEIGHT	0.7 kg	1.55 lb
PORT CONFIGURATION	(Inlet) 0.25" Barbed Fitting (Outlet) 5/32" Barbed Fitting	
MEDIA	Air	
REGULATORY	RoHS, REACH Compliant	
PART NUMBER	P08H015A-A02	

AVAILABLE ACCESSORIES

Brushless DC Controller

OPTIONAL CONFIGURATIONS

12 V Motor and Fan

OEM CONFIGURATIONS

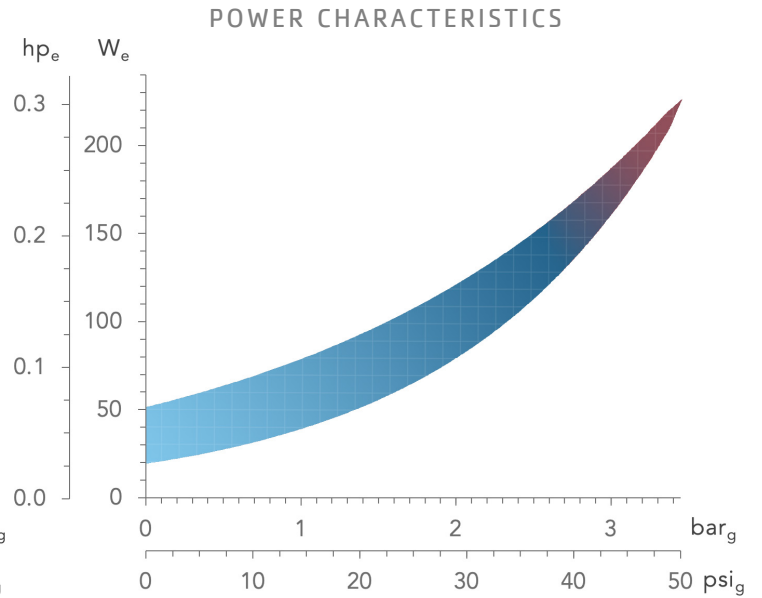
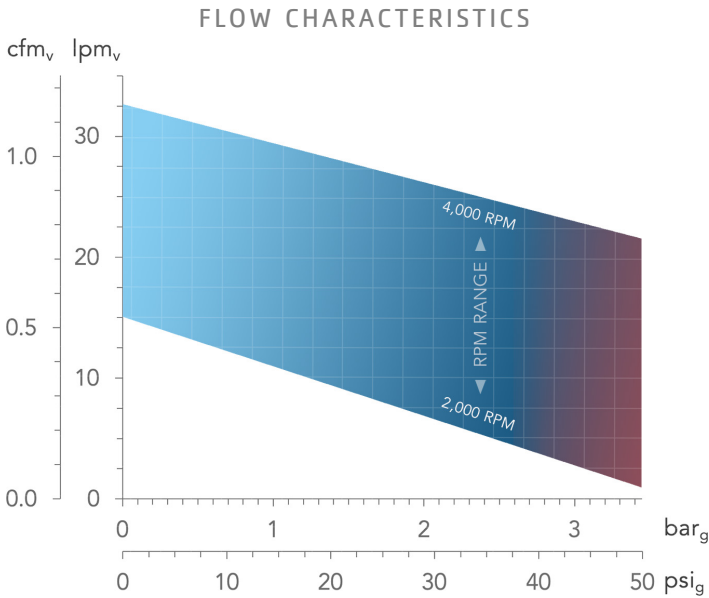
Custom Mounting Bracket
 Custom Electrical Connectors
 Custom Motor and Fan Voltage
 Custom Inlet and Outlet Fittings

Qualified OEMs should consult Air Squared for custom configurations and application-specific requirements.

Contact info@airsquared.com.

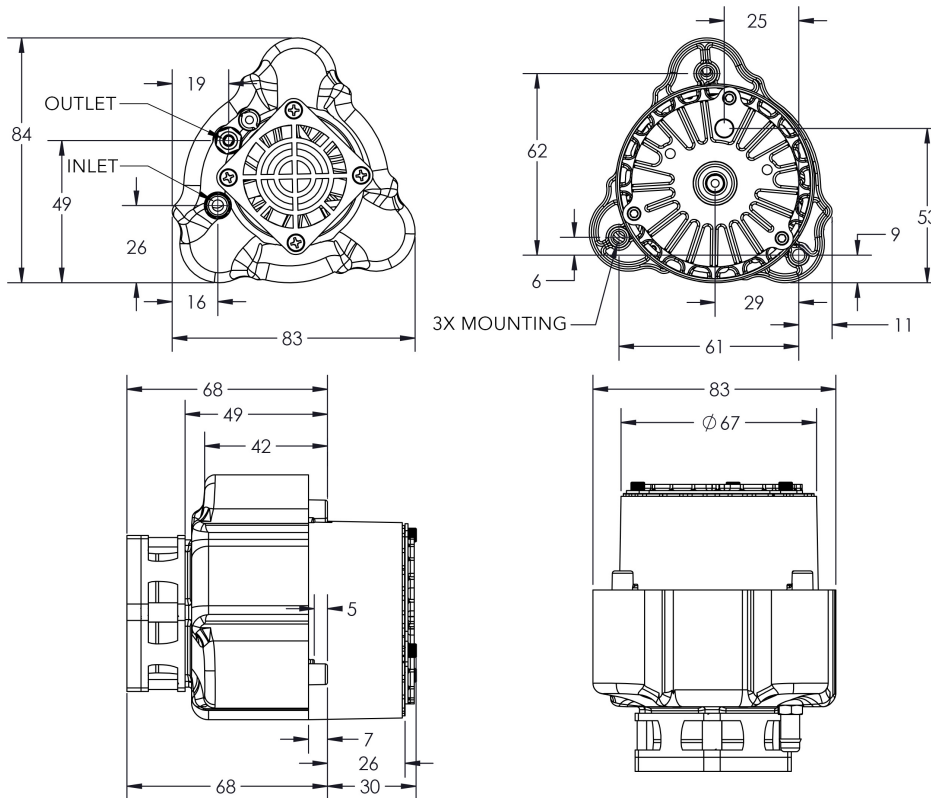
The information presented in this material is based on technical data and test results of nominal units. It is believed to be accurate and reliable. Air Squared does not warrant, guarantee, or assume liability in connection with this information. Picture, Performance, Dimensions, and Electrical information for reference use only - visit airsquared.com for current specifications. Application conditions may adversely affect performance and product life. It is the responsibility of the user to determine the suitability of the product for intended use.

Performance



Flow Characteristics reflect nominal volume flow with air at NIST standard inlet conditions. Power Characteristics reflect nominal electric power consumption in Broomfield, CO USA with standard motor and controller losses.

Dimensions



Dimensions in millimeters unless otherwise stated.



Learn More About Oil-Free Scroll Technology at <http://airsquared.com>

