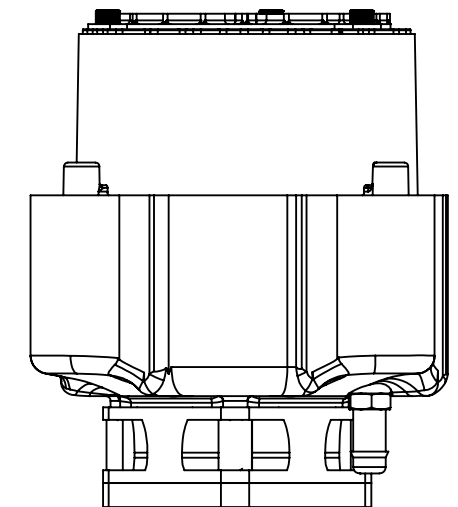
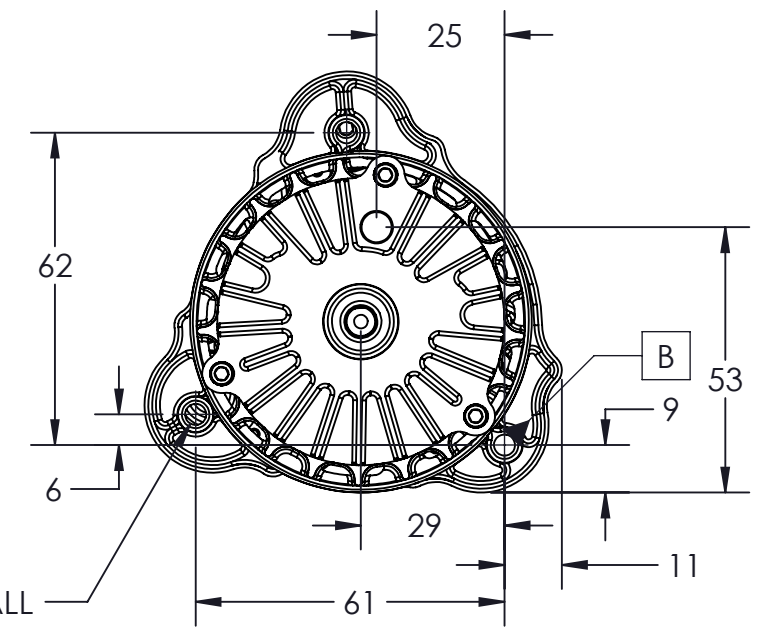


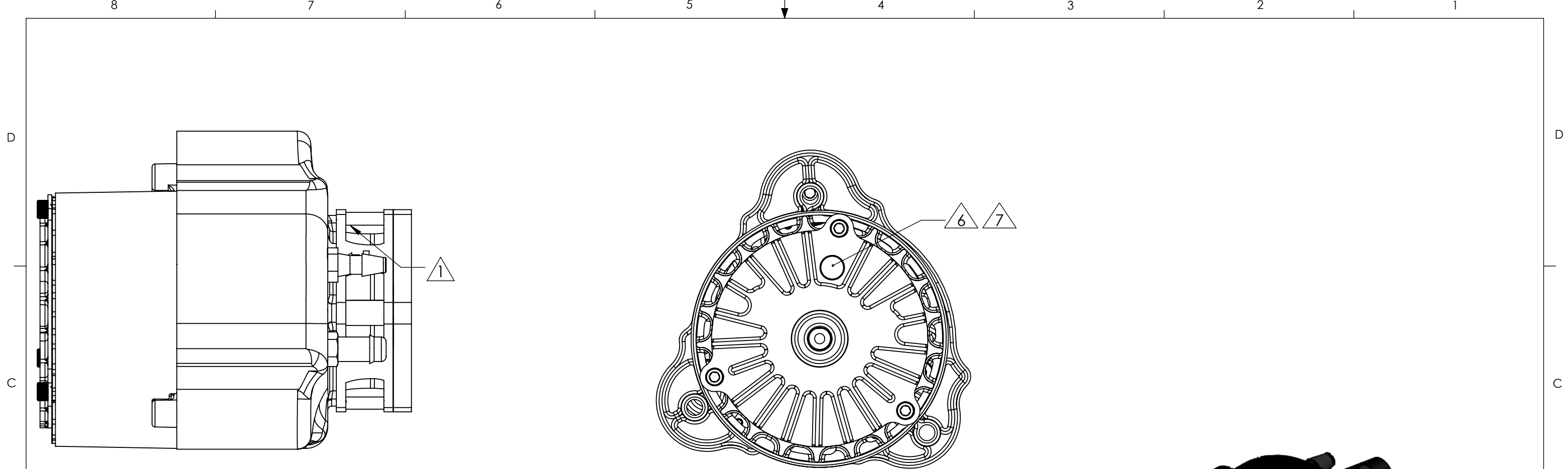
2 3X M5X0.8 - 6H THRU ALL




PUMP SPECIFICATIONS	
VOLUME RATIO	2.75
SUCTION VOLUME	8.4 cc
MAX PRESSURE	40 PSI(G)
MAX FLOW	30 LPM
MASS	0.7 kg
RATED SPEED	4000 RPM
MOTOR SPECIFICATIONS	
NOMINAL VOLTAGE	24 V
CURRENT LIMIT	10 A
# OF POLES	4
FAN SPECIFICATIONS	
VOLTAGE RATING	24 V
CURRENT RATING	0.120 A
POWER	2.88 W

- 1 FAN LEADS FROM EXIT SHOWN
- 2 MOUNTING PROVISIONS
- 3 PROPER OPERATING DIRECTION WHEN VIEWED FROM RESPECTIVE ORIENTATION
- 4 WORKING FLUID INLET PORT: 0.25" BARB
- 5 WORKING FLUID OUTLET PORT: 0.17" BARB
- 6 MOTOR LEADS EXIT FROM HERE
- 7 HALL SENSOR LEADS EXIT FROM HERE

DEFAULT TOLERANCES: X. ± 2.0 .X ± 1.0 .XX ± 0.50 .XXX ± 0.100 ANGULAR ± 3.0°	CONFIDENTIAL. THIS DOCUMENT AND THE DATA DISCLOSED HEREIN OR HERewith IS NOT TO BE REPRODUCED, USED, OR DISCLOSED IN WHOLE OR IN PART TO ANYONE WITHOUT THE PERMISSION OF AIR SQUARED, INC.			
		DESCRIPTION: SALES LAYOUT		
INTERPRET DRAWING PER ASME Y14.5-2009	DIMENSIONS ARE IN MM SHEET 1 OF 2 SCALE: 1:2	SIZE B	PART NO. P08H015A-A01	REV. C



MOTOR	
WIRE COLOR	SIGNAL
BLUE	A
YELLOW	B
BLACK	C
HALL SENSORS	
RED	VCC
BLACK	GND
BLUE	A
GREEN	B
YELLOW	C
FAN	
WIRE COLOR	SIGNAL
RED	+
BLACK	-

DEFAULT TOLERANCES: X. ± 2.0 .X ± 1.0 .XX ± 0.50 .XXX ± 0.100 ANGULAR ± 3.0°	CONFIDENTIAL. THIS DOCUMENT AND THE DATA DISCLOSED HEREIN OR HERewith IS NOT TO BE REPRODUCED, USED, OR DISCLOSED IN WHOLE OR IN PART TO ANYONE WITHOUT THE PERMISSION OF AIR SQUARED, INC.			
		DESCRIPTION: SALES LAYOUT		
INTERPRET DRAWING PER ASME Y14.5-2009	DIMENSIONS ARE IN MM SHEET 2 OF 2 SCALE: 1:2	SIZE B	PART NO. P08H015A-A01	REV. C