

COMPRESSOR SPECS

VOUME RATIO	3.64	
SUCTION VOLUME	134.5 cc	
MAX PRESSURE	13.1 Bar _g	190 PSIG
MAX FLOW	425 LPM _v	15 CFM _v
MASS (W/O COOLANT)	~18 kg	~40 lbs
IP RATING	67	

ELECTRICAL SPECIFICATIONS

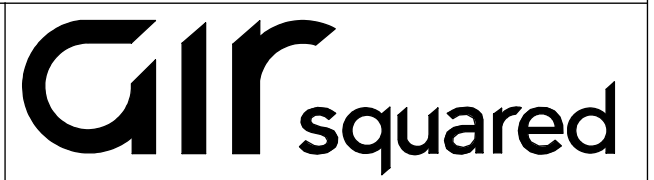
NOMINAL VOLTAGE	SEE PAGE 3
CONTINUOUS RATED LINE CURRENT	12.6 A
SPEED RATING	3500 RPM
HV INPUT RANGE	SEE PAGE 3
LV INPUT RANGE	9-36 VDC

DEFAULT TOLERANCES:

- X. ± 2.0
- .X ± 1.0
- .XX ± 0.50
- .XXX ± 0.100
- ANGULAR ± 3.0°

INTERPRET DRAWING PER ASME Y14.5-2009

CONFIDENTIAL. THIS DOCUMENT AND THE DATA DISCLOSED HEREIN OR HERewith IS NOT TO BE REPRODUCED, USED, OR DISCLOSED IN WHOLE OR IN PART TO ANYONE WITHOUT THE PERMISSION OF AIR SQUARED, INC.



DESCRIPTION:
SCROLL COMPRESSOR

DIMENSIONS ARE IN MM
SHEET 1 OF 3 SCALE: 1:5

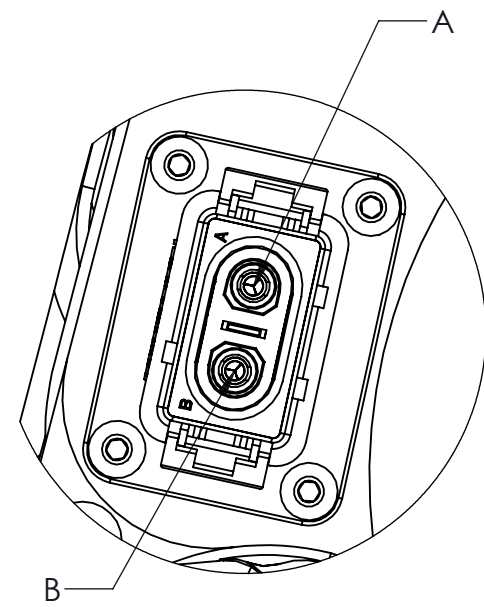
SIZE	PART NO.	REV.
B	P17H043D-BXX	0

DRAIN PLUG
M14X1.5 - 6H THRU

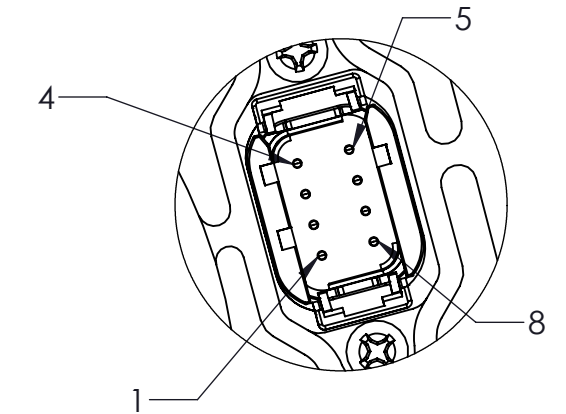
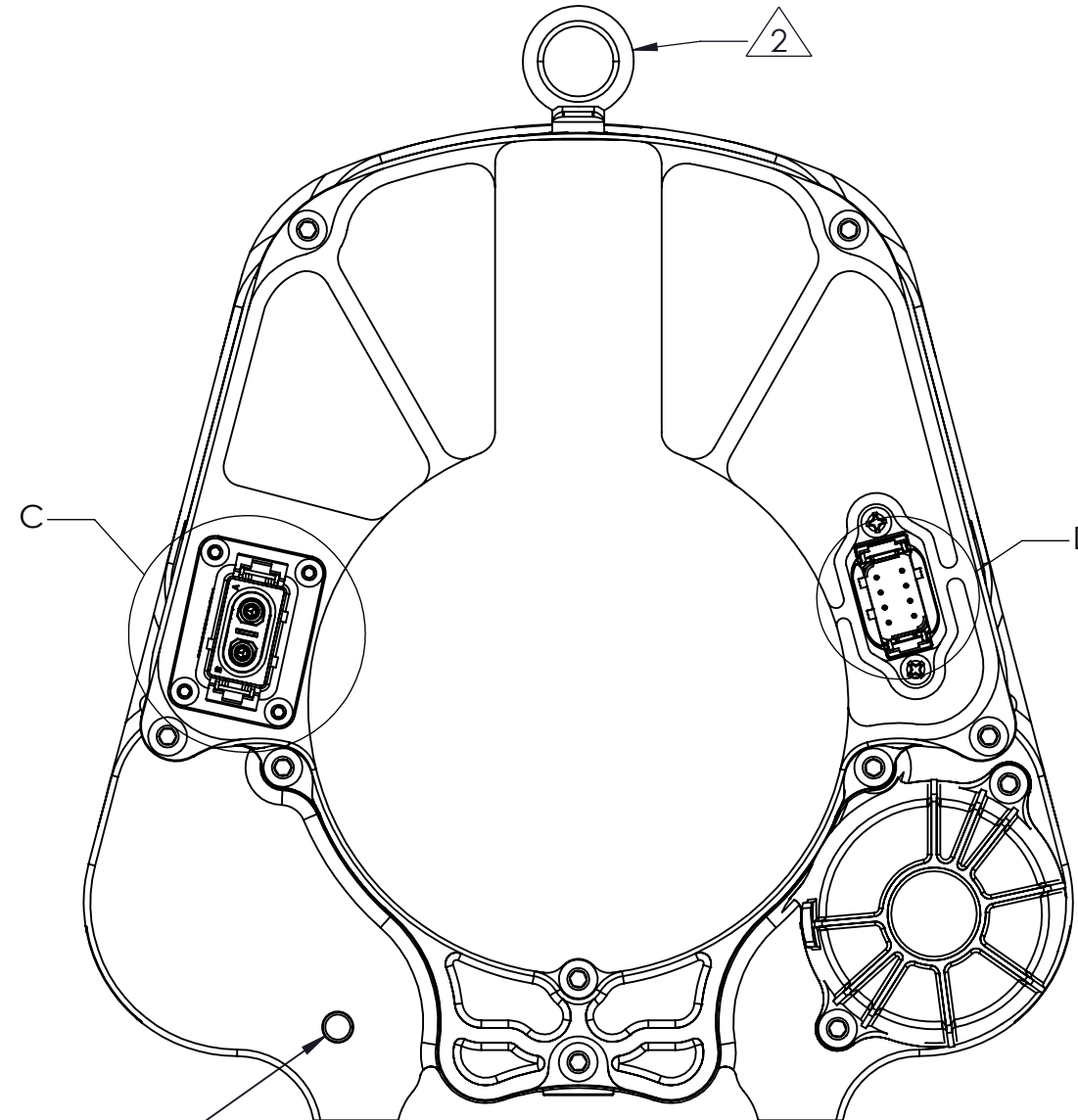
INTERFACE #	DESCRIPTION	(ON UNIT) CONNECTOR P/N	(MATING) CONNECTOR P/N
1	POWER CONNECTION	ATHP042P25	ATM06-08SA-KT01
2	COMMUNICATION CONNECTION	ATM15-08PA-BM02	ATHP062S25EL-S1

LABEL INFORMATION

AIR SQUARED MFG.
P17H043D-BXX REV 0
DATE: MM-DD-YYYY
SERIAL #: XXXXXXXX



DETAIL C
SCALE 1 : 1



DETAIL D
SCALE 1 : 1

POWER CONNECTION (1)	
PIN	SIGNAL
A	+VDC
B	-VDC

COMMUNICATION CONNECTOR (2)	
PIN	SIGNAL
1	VCC
2	GND
3	CAN-H
4	CAN-L
5	STO-0
6	STO-1
7	HVIL-0
8	HVIL-1


GROUNDING LOCATION

- 1. UNIT MOUNTING ORIENTATION IS FLEXIBLE. DOWNWARD MOTOR ORIENTATION IS NOT PREFERRED.
- 2. LIFTING HOOK NOT REQUIRED FOR OPERATION. REMOVE AFTER SYSTEM INSTALLATION.
- 3. STANDARD POSITION TOLERANCE: $\oplus 3$ A B C
- 4. RECCOMENDED TORQUE SPECIFICAITON: 48 NM +/- 10 NM
- 5. RECCOMENDED TORQUE SPECIFICAITON: 40 NM +/- 8 NM

DEFAULT TOLERANCES: X. ± 2.0 .X ± 1.0 .XX ± 0.50 .XXX ± 0.100 ANGULAR ± 3.0°	CONFIDENTIAL. THIS DOCUMENT AND THE DATA DISCLOSED HEREIN OR HEREWITH IS NOT TO BE REPRODUCED, USED, OR DISCLOSED IN WHOLE OR IN PART TO ANYONE WITHOUT THE PERMISSION OF AIR SQUARED, INC.			
		DESCRIPTION: SCROLL COMPRESSOR		
INTERPRET DRAWING PER ASME Y14.5-2009	DIMENSIONS ARE IN MM SHEET 2 OF 3 SCALE: 1:5	SIZE B	PART NO. P17H043D-BXX	REV. 0

CONFIGURATION PART NUMBERS				
COMPRESSOR P/N	NOMINAL VOLTAGE	HV INPUT RANGE	BAUD RATE	TERMINATING RESISTOR
P17H043D-B07-C1	650	540-800	500	YES
P17H043D-B07-C2	650	540-800	500	NO
P17H043D-B07-C3	650	540-800	250	YES
P17H043D-B07-C4	650	540-800	250	NO
P17H043D-B08-C1	340	260-405	500	YES
P17H043D-B08-C2	340	260-405	500	NO
P17H043D-B08-C3	340	260-405	250	YES
P17H043D-B08-C4	340	260-405	250	NO

*ADDITIONAL CONFIGURATIONS AVAILABLE UPON REQUEST

DEFAULT TOLERANCES: X. ± 2.0 .X ± 1.0 .XX ± 0.50 .XXX ± 0.100 ANGULAR ± 3.0°	CONFIDENTIAL. THIS DOCUMENT AND THE DATA DISCLOSED HEREIN OR HEREWITH IS NOT TO BE REPRODUCED, USED, OR DISCLOSED IN WHOLE OR IN PART TO ANYONE WITHOUT THE PERMISSION OF AIR SQUARED, INC.			
		DESCRIPTION: SCROLL COMPRESSOR		
INTERPRET DRAWING PER ASME Y14.5-2009	DIMENSIONS ARE IN MM SHEET 3 OF 3 SCALE: 1:5	SIZE B	PART NO. P17H043D-BXX	REV. 0