

COMPRESSOR SPECS	
SUCTION VOLUME	134.5 CC
VOLUME RATIO	3.64
IP RATING	6K9K
MASS (W/O COOLENT)	~17KG
MOTOR SPECS	
VOLTAGE RATING	340 VDC
CURRENT RATING (CONTINUOUS)	18.9 A
SPEED RATING	3700 RPM
TORQUE RATING (CONTINUOUS)	150 IN*LBS
# OF POLES	16

- FOR ELECTRICAL CONNECTION INFORMATION REFER TO: P17H043C-A03 WIRING SCHEMATIC
- UNIT MOUNTING ORIENTATION IS FLEXIBLE. DOWNWARD MOTOR ORIENTATION IS NOT PREFERRED.
- IT IS RECOMMENDED TO MOUNT COMPRESSOR TO MOUNTING PLATE WHICH IS ATTACHED VIA RUBBER ISOLATION SANDWICH MOUNTS.
- RECOMMENDED MOUNTING FASTENER TORQUE IS 531 IN*LBS, ASSUMING 15 MM MINIMUM THREAD ENGAGEMENT

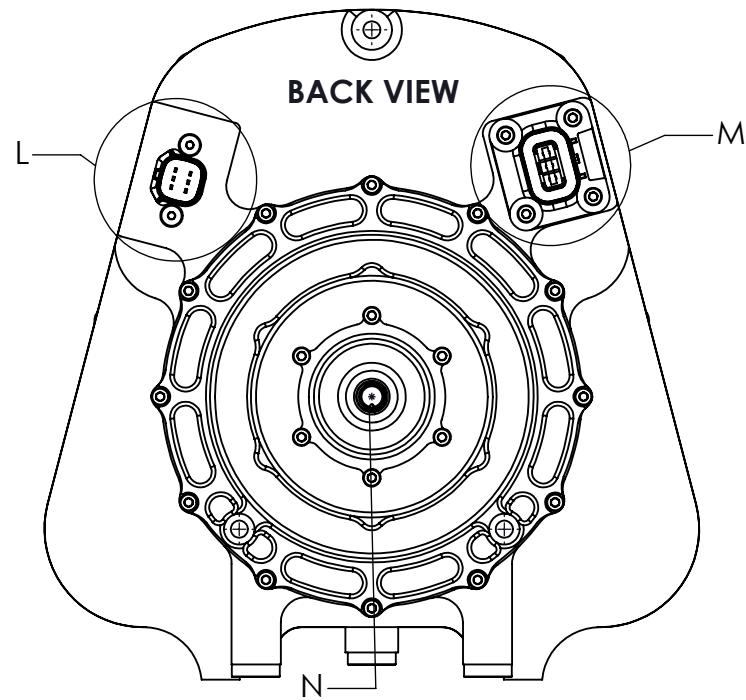
CONFIDENTIAL. THIS DOCUMENT AND THE DATA DISCLOSED HEREIN OR HEREWITH IS NOT TO BE REPRODUCED, USED, OR DISCLOSED IN WHOLE OR IN PART TO ANYONE WITHOUT THE PERMISSION OF AIR SQUARED, INC.

Air squared

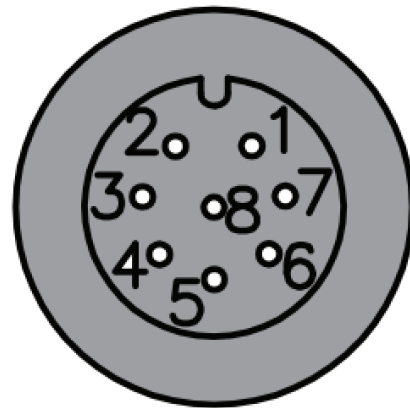
DESCRIPTION:
B.2 SCROLL COMPRESSOR

DIMENSIONS ARE IN MM	SIZE	PART NO.	REV.
SHEET 1 OF 2	B	P17H043C-A03	A

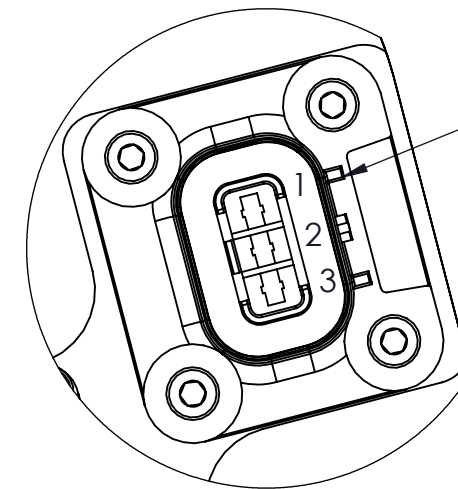
SCALE: 1:5



ENCODER
 ENCODER PRODUCTS
 30M-00-****CV1**HV-K-S6-SPEC859



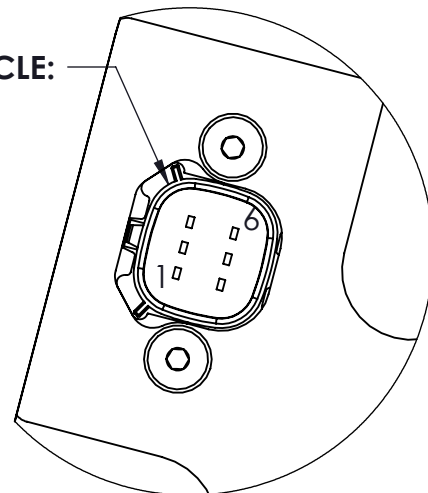
ENCODER		
PIN	COLOR	SIGNAL
1	WHITE	W
2	YELLOW	V
3	PINK	U
4	BROWN	VCC
5	GREEN	N/A
6	GREY	N/A
7	RED	N/A
8	BLUE	GND



PHASE WIRE RECEPTCLE:
 TE CONNECTIVITY
 1587973-1

PHASE WIRE RECEPTCLE		
PIN	COLOR	SIGNAL
1	BROWN	M1
2	BLACK	M2
3	WHITE	M3

THERMISTOR RECEPTCLE:
 MOLEX
 1480286001



THERMISTOR RECEPTCLE:		
PIN	COLOR	SIGNAL
1	WHITE	V+
2	RED	V-
3	N/A	N/A
4	N/A	N/A
5	N/A	N/A
6	N/A	N/A

CONFIDENTIAL.
 THIS DOCUMENT AND
 THE DATA DISCLOSED
 HEREIN OR HERewith IS
 NOT TO BE
 REPRODUCED, USED, OR
 DISCLOSED IN WHOLE
 OR IN PART TO ANYONE
 WITHOUT THE
 PERMISSION OF AIR
 SQUARED, INC.



DESCRIPTION:
B.2 SCROLL COMPRESSOR

DIMENSIONS ARE IN MM
 SHEET 2 OF 2 SCALE: 1:5

SIZE	PART NO.	REV.
B	P17H043C-A03	A