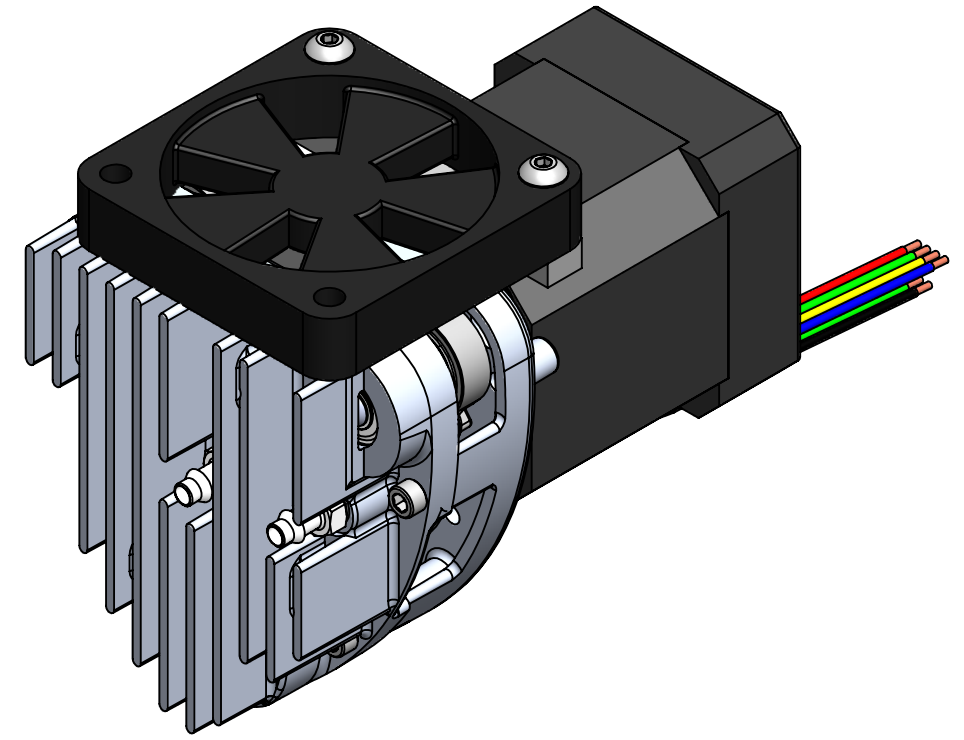
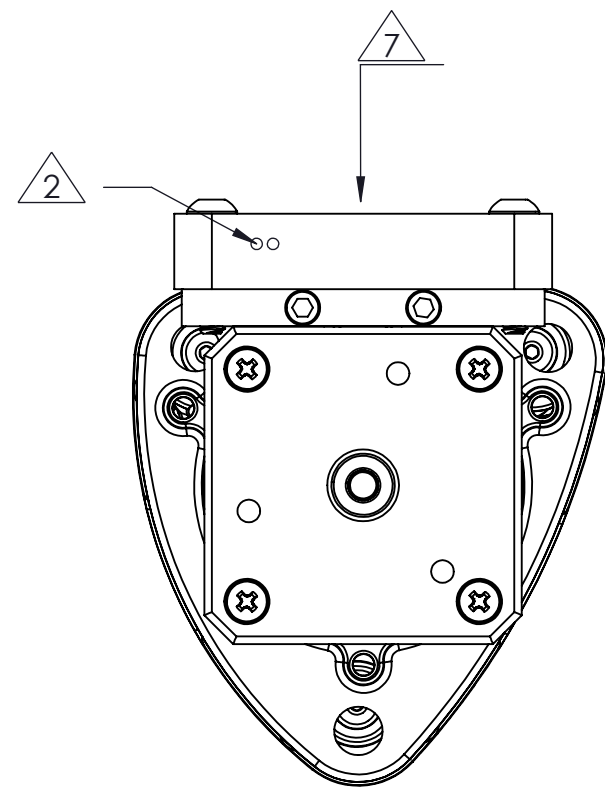
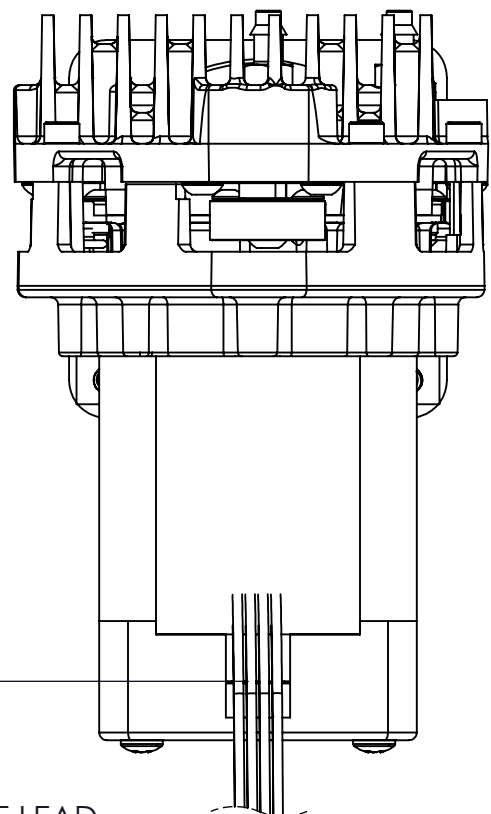


PUMP SPECIFICATIONS		
VOLUME RATIO	2.75	
SUCTION VOLUME	2.55 cc	
MAX VACUUM	10 mBar _a	7.5 Torr
MAX FLOW	5 LPM	0.2 CFM
MASS	0.7 kg	1.5 Lb
RATED SPEED	3000 RPM	
MOTOR SPECIFICATIONS		
NOMINAL VOLTAGE	24 VDC	
CURRENT RATING	2.3 A	△8
# OF POLES	8	
FAN SPECIFICATIONS		
VOLTAGE RATING	24 VDC	
CURRENT RATING	0.1 A	
POWER	2.4 W	

- △1 MOTOR LEADS EXIT FROM SHOWN. BARE LEADS TYPICAL.
- △2 FAN LEADS EXIT FROM SHOWN. BARE LEADS TYPICAL.
- △3 PROPER OPERATING DIRECTION WHEN VIEWED FROM RESPECTIVE ORIENTATION.
- △4 WORKING FLUID INLET PORT: 1/8" BARBED TUBE FITTING
- △5 WORKING FLUID OUTLET PORT: 1/8" BARBED TUBE FITTING
- △6 MOUNTING PROVISIONS
- △7 FAN AIRFLOW DIRECTION
- △8 MAXIMUM ALLOWABLE INPUT CURRENT TO THE CONTROLLER AT NOMINAL VOLTAGE


DEFAULT TOLERANCES: X. ± 2.0 .X ± 1.0 .XX ± 0.50 .XXX ± 0.100 ANGULAR ± 3.0°	CONFIDENTIAL. THIS DOCUMENT AND THE DATA DISCLOSED HEREIN OR HEREWITH IS NOT TO BE REPRODUCED, USED, OR DISCLOSED IN WHOLE OR IN PART TO ANYONE WITHOUT THE PERMISSION OF AIR SQUARED, INC.			
		DESCRIPTION: SALES LAYOUT		
INTERPRET DRAWING PER ASME Y14.5-2009	DIMENSIONS ARE IN MM SHEET 1 OF 2 SCALE: 1:1	SIZE B	PART NO. V05H012A-B02	REV. 1



MINIMUM WIRE LEAD
221

MOTOR POWER	
WIRE COLOR	SIGNAL
BLUE	A
YELLOW	B
GREEN	C
HALL SENSORS	
WIRE COLOR	SIGNAL
YELLOW	1
GREEN	2
BLUE	3
RED	VCC
BLACK	GND

FAN POWER	
RED	+
BLACK	-

DEFAULT TOLERANCES: X. ± 2.0 .X ± 1.0 .XX ± 0.50 .XXX ± 0.100 ANGULAR ± 3.0°	CONFIDENTIAL. THIS DOCUMENT AND THE DATA DISCLOSED HEREIN OR HERewith IS NOT TO BE REPRODUCED, USED, OR DISCLOSED IN WHOLE OR IN PART TO ANYONE WITHOUT THE PERMISSION OF AIR SQUARED, INC.			
		DESCRIPTION: SALES LAYOUT		
INTERPRET DRAWING PER ASME Y14.5-2009	DIMENSIONS ARE IN MM SHEET 2 OF 2 SCALE: 1:1	SIZE B	PART NO. V05H012A-B02	REV. 1