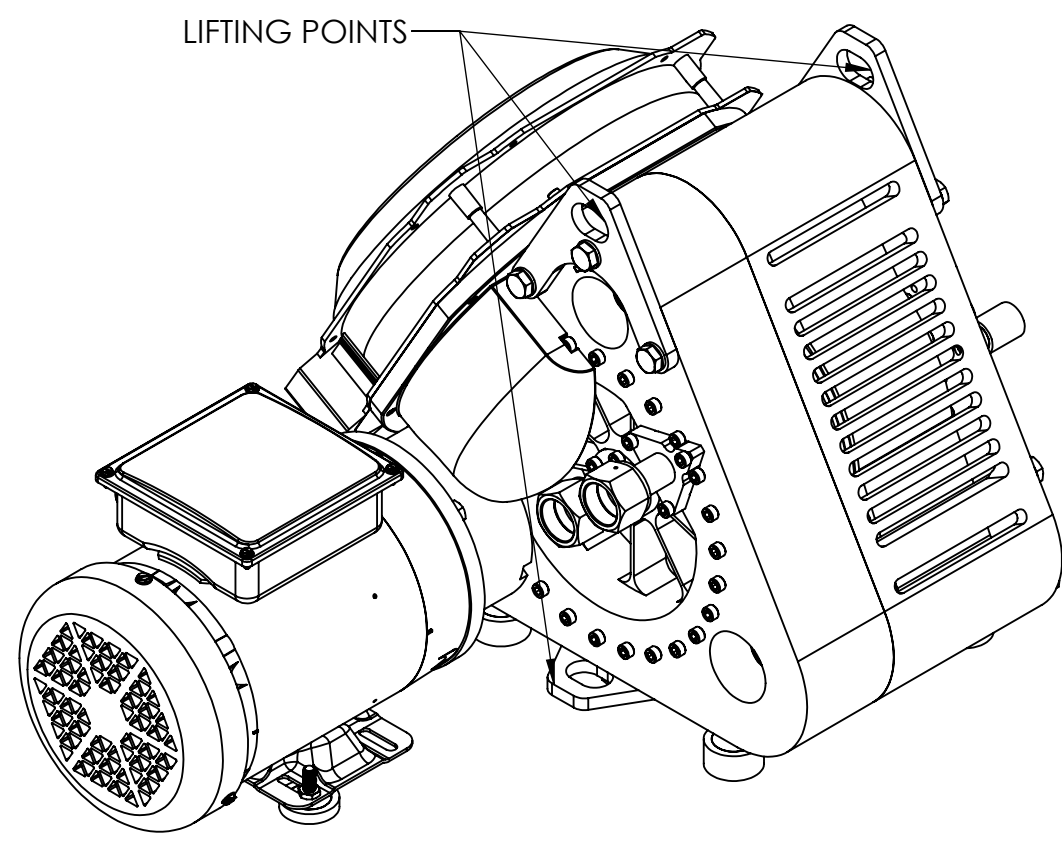
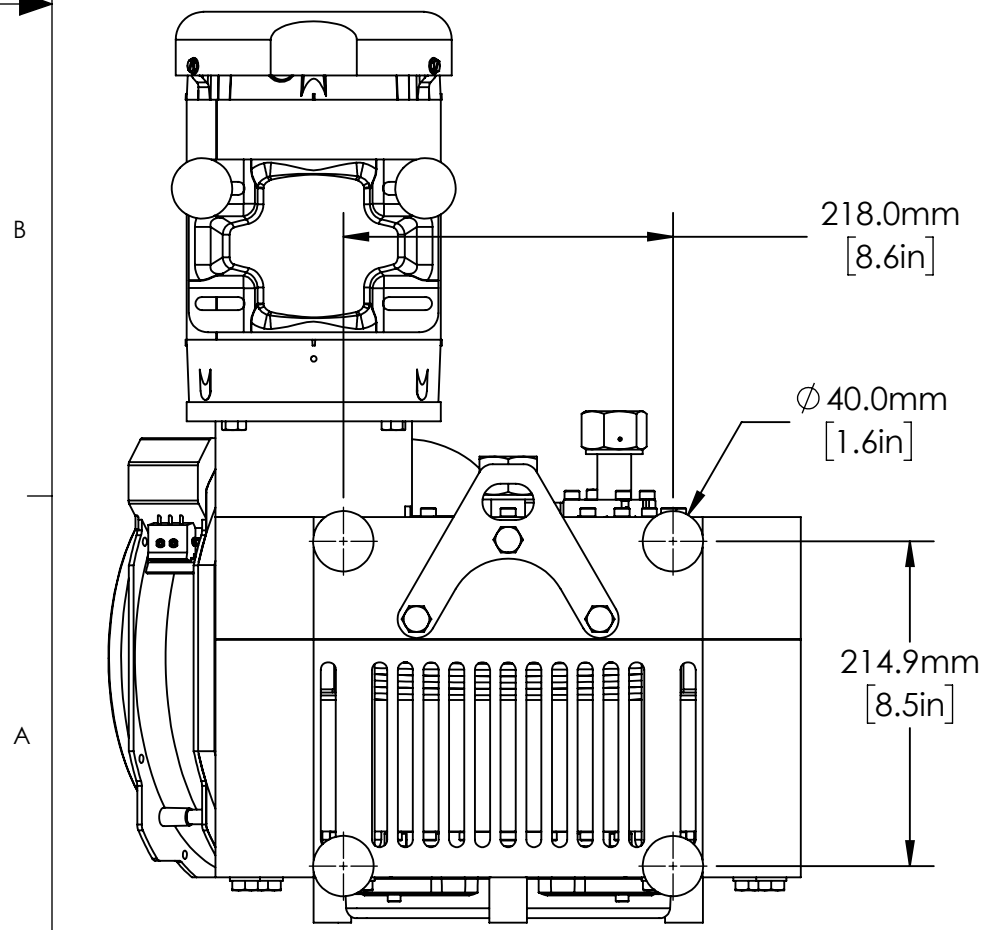
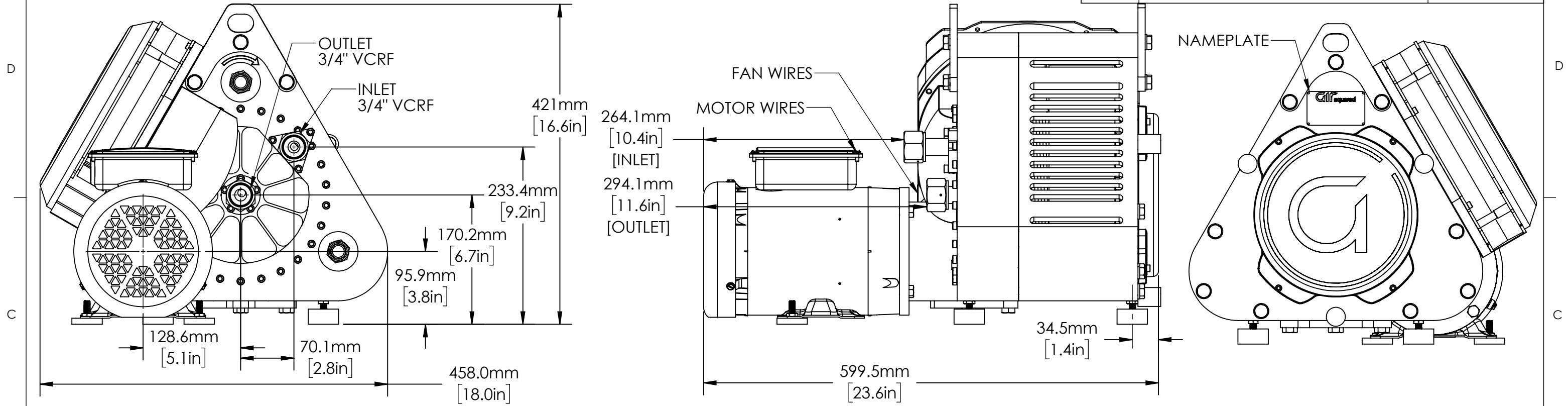
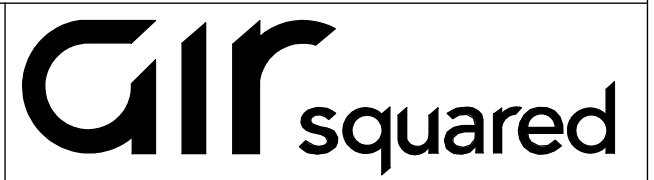


REVISIONS		
REV.	DESCRIPTION	DATE
B	BOTTOM LIFTING HOOK	6/6/2019



CONFIDENTIAL.
THIS DOCUMENT AND
THE DATA DISCLOSED
HEREIN OR HERewith IS
NOT TO BE
REPRODUCED, USED, OR
DISCLOSED IN WHOLE
OR IN PART TO ANYONE
WITHOUT THE
PERMISSION OF AIR
SQUARED, INC.

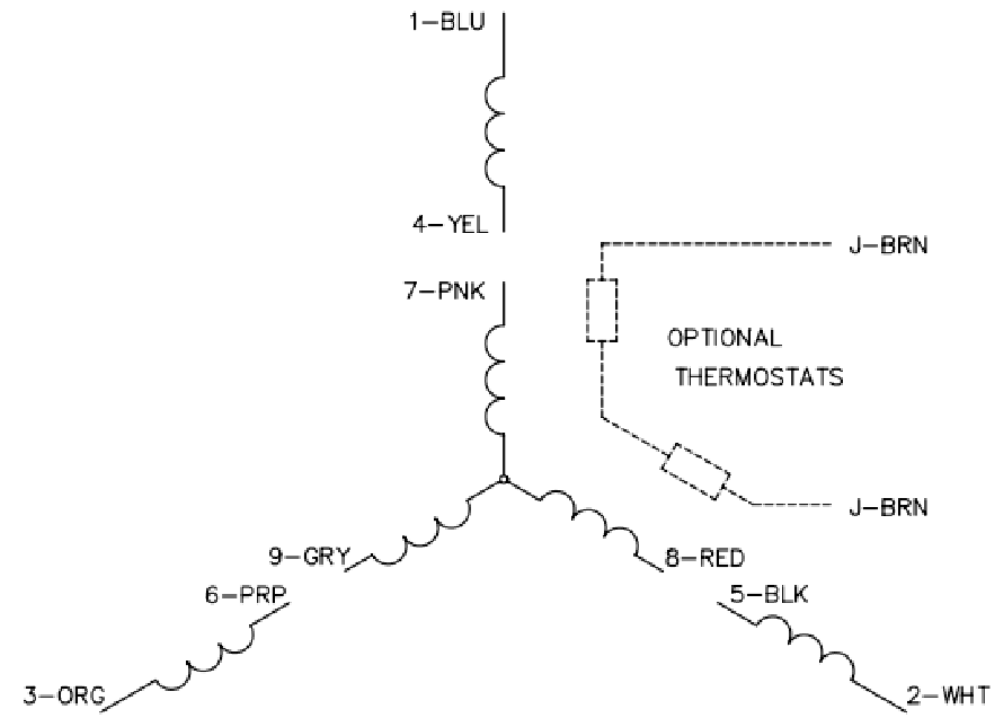


DESCRIPTION:
LAYOUT DRAWING

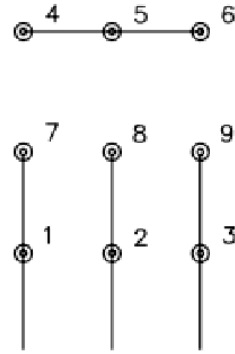
DIMENSIONS ARE IN MM		SIZE	PART NO.	REV.
SHEET 1 OF 2		B	V16H034A-B02	B

SCALE: 1:10

MOTOR WIRING DIAGRAM

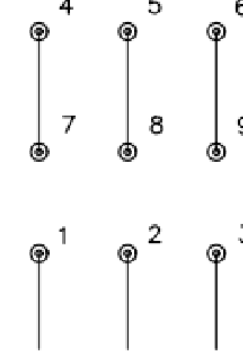


LOW VOLTAGE
(2Y)



LINE

HIGH VOLTAGE
(1Y)



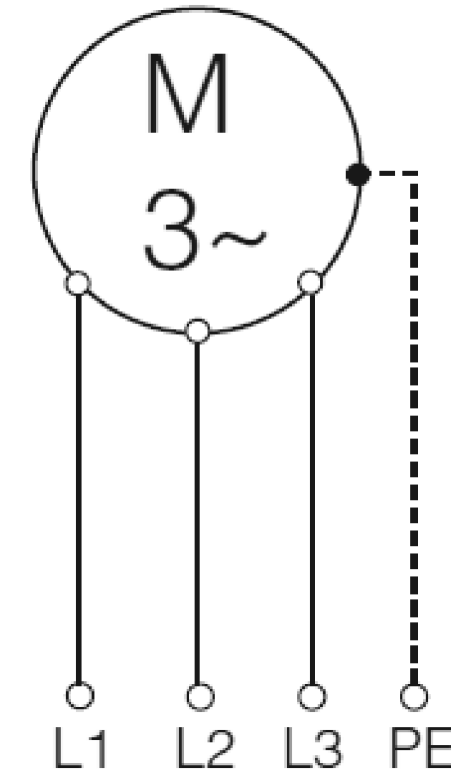
LINE

NOTES:

1. INTERCHANGE ANY TWO LINE LEADS TO REVERSE ROTATION.
2. OPTIONAL THERMOSTATS ARE PROVIDED WHEN SPECIFIED.
3. ACTUAL NUMBER OF INTERNAL PARALLEL CIRCUITS MAY BE A MULTIPLE OF THOSE SHOWN ABOVE.
4. LEAD COLORS ARE OPTIONAL. LEADS MUST ALWAYS BE NUMBERED AS SHOWN.

MASS	91.145 KG [200.94 LBS]
SPEED	1750
FAN VOLTAGE	460 VAC 3~
FAN CURRENT	0.24A
MOTOR VOLTAGE	460VAC 3~
MOTOR CURRENT	1.2 A

FAN WIRING DIAGRAM



CONFIDENTIAL.
THIS DOCUMENT AND
THE DATA DISCLOSED
HEREIN OR HERewith IS
NOT TO BE
REPRODUCED, USED, OR
DISCLOSED IN WHOLE
OR IN PART TO ANYONE
WITHOUT THE
PERMISSION OF AIR
SQUARED, INC.

Air squared

DESCRIPTION:
LAYOUT DRAWING

DIMENSIONS ARE IN MM

SIZE

PART NO.

REV.

SHEET 2 OF 2

SCALE: 1:10

B

V16H034A-B02

B