

# P17H043B-AC-LC-7HP

## Liquid-Cooled Scroll Air Compressor

### 100% Oil-Free

Maintain the purity of your system

### Quiet, Smooth Operation

Dynamically balanced, valve-less, and near pulsation-free

### Integrated Liquid Cooling

Effective heat dissipation and low discharge temperature

### Efficient, High Pressure Performance

Over 90% volumetric efficiency at high-pressure operation

### Compact, Enclosed Housing Design

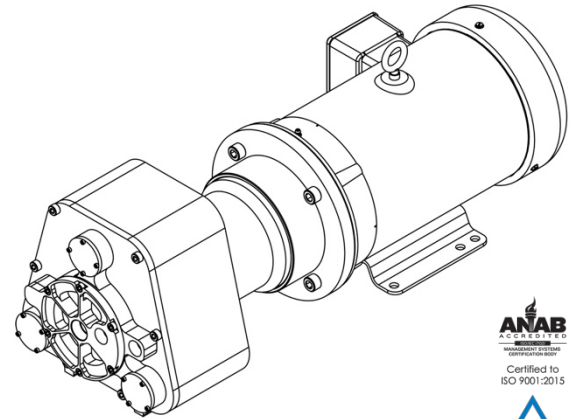
Immersion protection and fewer moving parts than competing technology

### Reliable, Durable Solution

Long product life and simple field maintenance

### Variable Speed

Ideal performance over a range of duty cycles – 100% continuous to intermittent

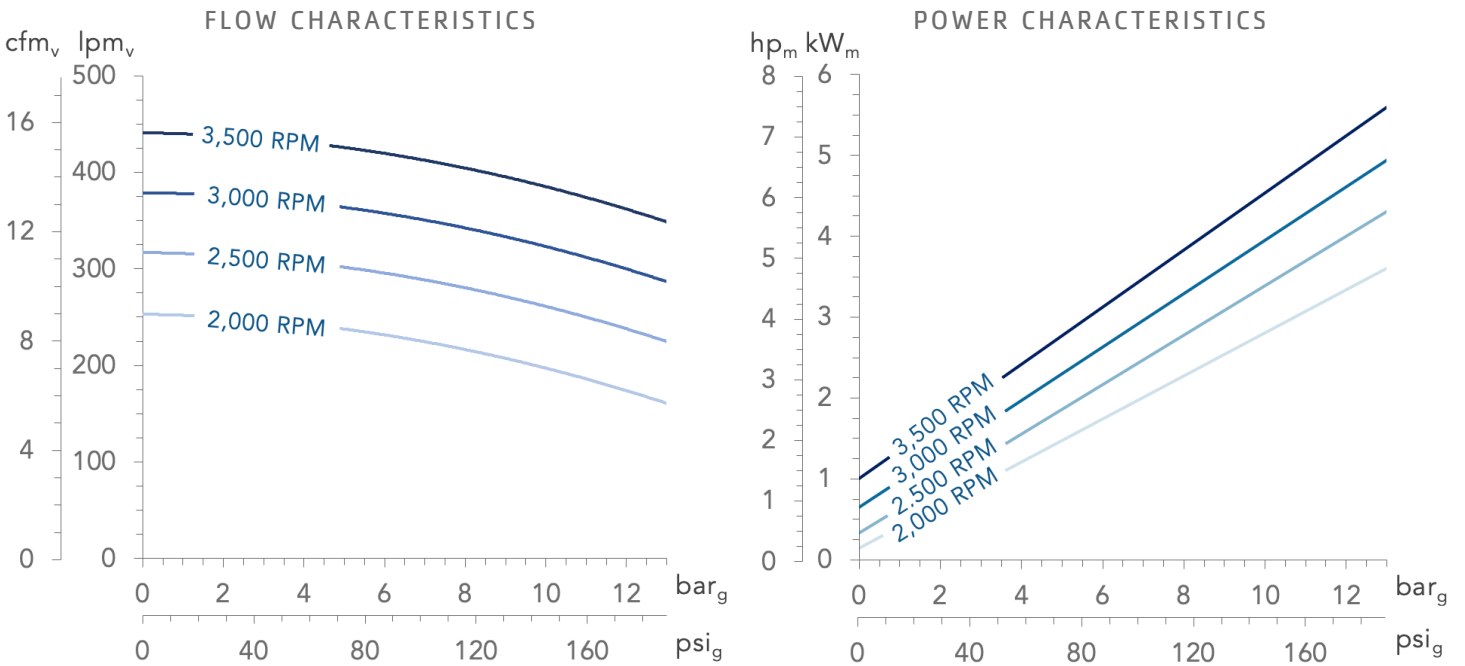


	SI	IMPERIAL	PORT CONFIGURATIONS
MAX. PRESSURE	13 barg	190 psig	3/4" NPT (Air Inlet and Outlet) 1/2" NPT (Cooling Inlet and Outlet)
VOLUME RATIO	3.64		
MAX. FLOW	430 lpmv	15.2 cfmv	OPTIONAL CONFIGURATIONS
DISPLACEMENT	134.5 cm <sup>3</sup> / Rev.	8.2 in <sup>3</sup> / Rev.	
MAX. SPEED	3,600 RPM		Alternate Motor Voltage, Phase, or Frequency
RATED POWER	5.6 kW <sub>e</sub>	7.5 hpe	
RATED CURRENT	18.5 A @ 208 VAC 16.8 A @ 230 VAC 8.4 @ 460 VAC		AVAILABLE ACCESSORIES
MOTOR	230/460 V TEFC Three Phase AC		
COOLING	Liquid Cooling Loop Required		CUSTOM REQUIREMENTS
AMBIENT TEMP. RANGE	-20 °C – 40 °C	0 °F – 104 °F	
NOMINAL SOUND LEVEL	60 dB(A)		Qualified OEMs should consult Air Squared for custom configurations and application specific requirements.
NET WEIGHT	64 kg	143 lb	
MEDIA	Air		Contact info@airsquared.com.
PART NUMBER	P17H043B-A04		

The information presented in this material is based on technical data and test results of nominal units. It is believed to be accurate and reliable. Air Squared does not warrant, guarantee, or assume liability in connection with this information. Picture, Performance, Dimensions, and Electrical information for reference use only - visit [airsquared.com](http://airsquared.com) for current specifications. Application conditions may adversely affect performance and product life. It is the responsibility of the user to determine the suitability of the product for intended use.

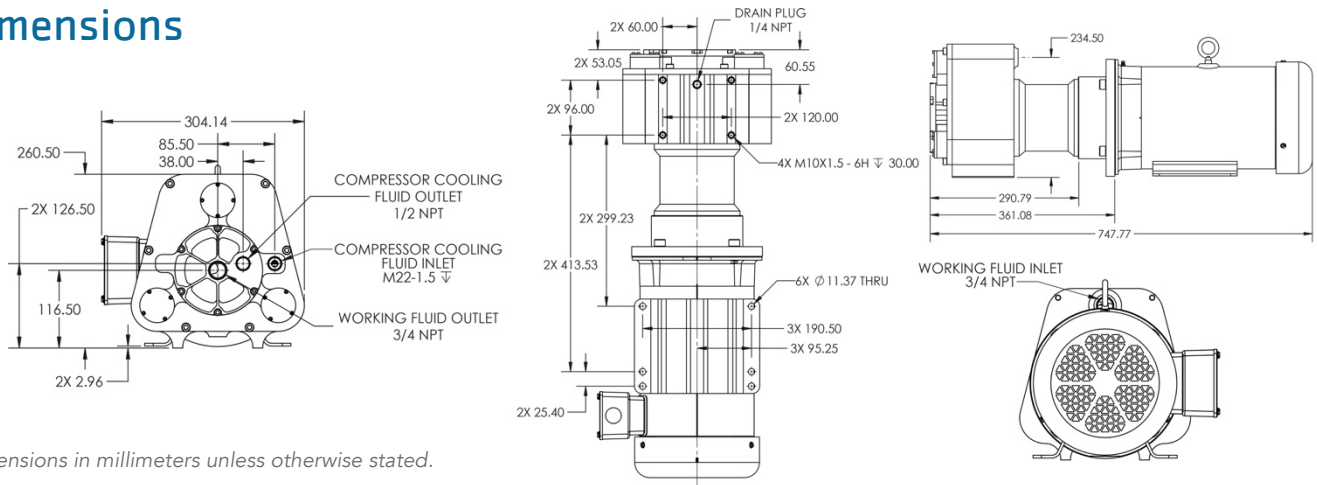
# P17H043B-AC-LC-7HP

## Performance

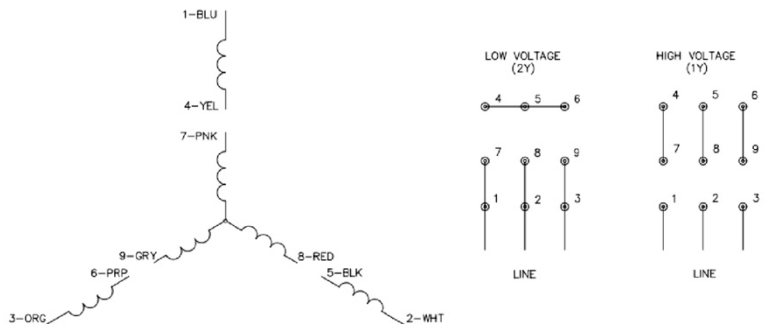


Flow Characteristics reflect nominal volume flow at NIST standard conditions with inlet coolant temperatures of 20 °C. Power Characteristics reflect nominal shaft power in Broomfield, CO USA.

## Dimensions



## Electrical



- NOTES:
1. INTERCHANGE ANY TWO LINE LEADS TO REVERSE ROTATION.
  2. ACTUAL NUMBER OF INTERNAL PARALLEL CIRCUITS MAY BE A MULTIPLE OF THOSE SHOWN ABOVE.
  3. LEAD COLORS ARE OPTIONAL. LEADS MUST ALWAYS BE NUMBERED AS SHOWN.

Three-phase AC motors can operate at variable speed. An Electronic controller module is required for operation