

P22H038B-AC-SH

Semi-Hermetic Scroll Compressor

100% Oil-Free

Maintain the purity of your system

Semi-Hermetic Design

No dynamic seals with patented magnetic coupling configuration

Quiet, Smooth Operation

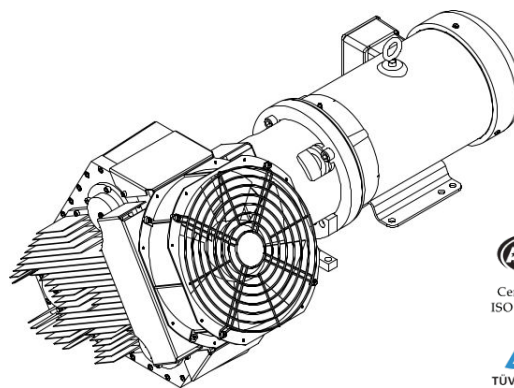
Dynamically balanced, valve-less, and nearly pulsation-free

Efficient Performance

Continuous compression process - no re-expansion or throttling losses

Variable or Fixed Speed

Ideal performance over a range of duty cycles – 100% continuous to intermittent



Certified to
ISO 9001:2008



Precisely Right.

	SI	IMPERIAL
MAX. PRESSURE	5.5 barg	80 psig
VOLUME RATIO	3.25	
MAX. FLOW	425 lpm _v	15 cfm _v
DISPLACEMENT	239 cm ³ / Rev.	14.6 in ³ / Rev.
MAX. SPEED	2,200 RPM	
MOTOR	230 V / 460 V TEFC Three-Phase AC	
RATED POWER	5.6 kW _e	7.5 hpe
RATED CURRENT	18.5 A @ 230 VAC 8.4 A @ 460 VAC	
COOLING	230 V AC Attached Fan	
AMBIENT TEMP. RANGE	-20 °C – 40 °C	0 °F – 104 °F
NOMINAL SOUND LEVEL	65 dB(A)	
NET WEIGHT	104.5 kg	230 lb
PORT CONFIGURATION	SAE 1.312-12 (Inlet) SAE .75-16 (Discharge)	
PART NUMBER	P22H038B-A01	

MEDIA COMPATIBILITY

Air, CO₂, CO, He, N₂, Ar, and Natural Gas are compatible with the standard product configuration.

H₂ and O₂ are compatible with an optional configuration.

OPTIONAL CONFIGURATIONS

Alternate Motor Voltage, Phase, or Frequency

H₂ or O₂ Compatibility

AVAILABLE ACCESSORIES

Variable Frequency Drive

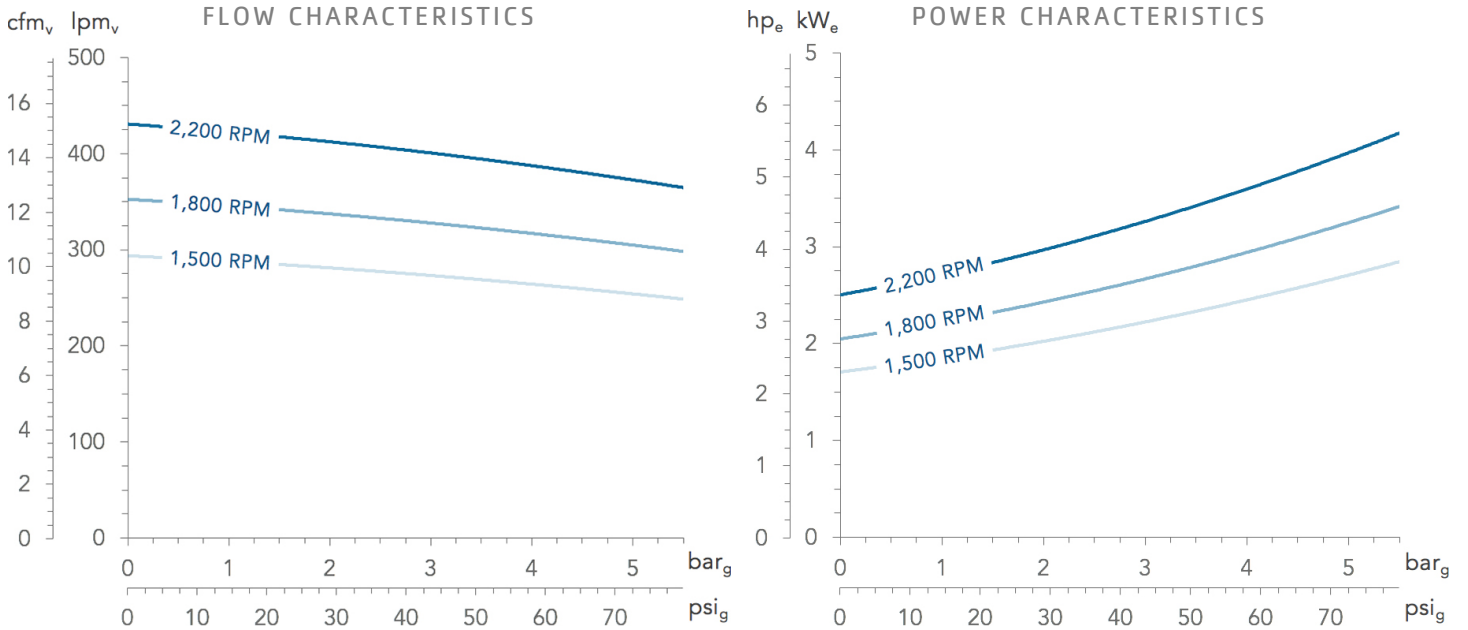
CUSTOM REQUIREMENTS

Qualified OEMs should consult Air Squared for custom configurations and application specific requirements.

Contact info@airsquared.com.

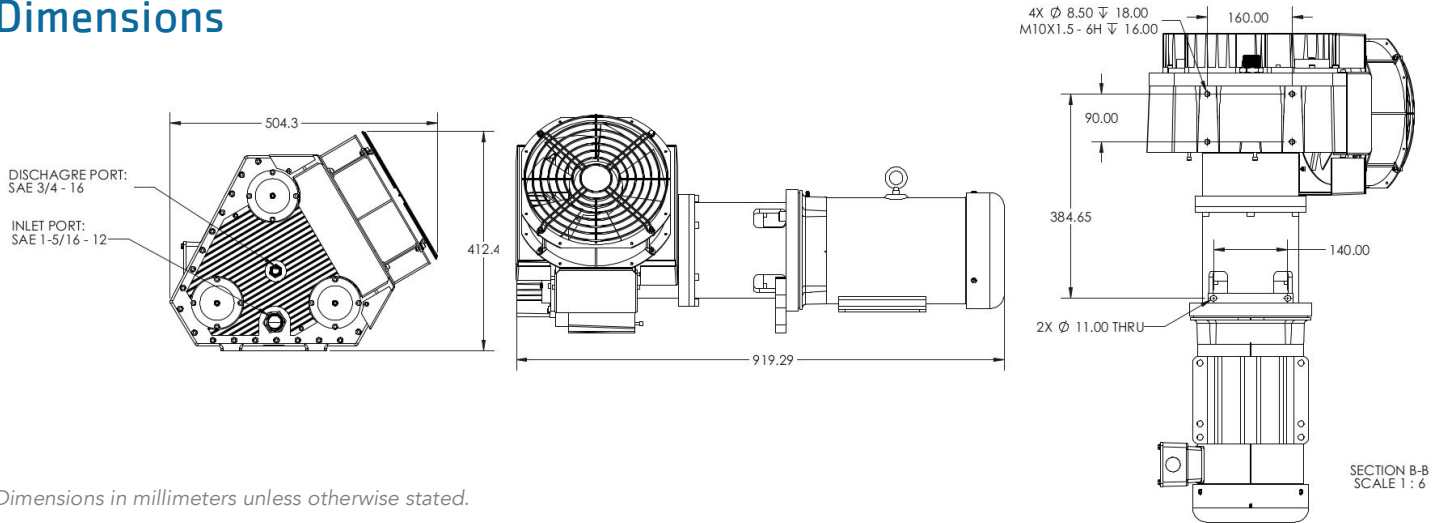
The information presented in this material is based on technical data and test results of nominal units. It is believed to be accurate and reliable. Air Squared does not warrant, guarantee, or assume liability in connection with this information. Picture, Performance, Dimensions, and Electrical information for reference use only - visit airsquared.com for current specifications. Application conditions may adversely affect performance and product life. It is the responsibility of the user to determine the suitability of the product for intended use.

Performance

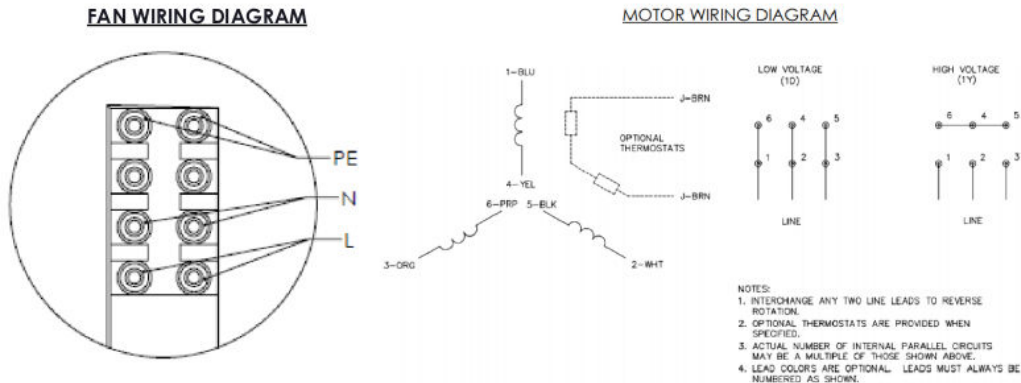


Flow Characteristics reflect nominal volume flow with air at NIST standard inlet conditions. Power Characteristics reflect nominal electric power consumption in Broomfield, CO USA with standard motor and controller losses.

Dimensions



Electrical



Three-phase AC motors can operate at variable speed. An electronic controller module is required for operation.