

E22H038B-L-SH

5 kW Semi-Hermetic Scroll Expander

Oil-Flooded Operation

Injection ports ensure optimal oil circulation for improved efficiency and long product life

Semi-Hermetic

No dynamic seals with patented magnetic coupling configuration

Efficient Power Generation

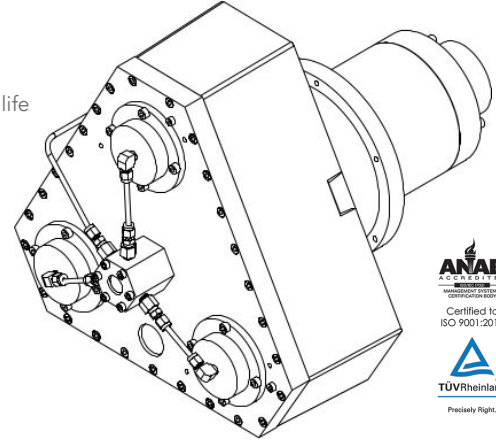
Volumetric efficiency up to 85% with adequate lubrication

Quiet, Smooth Operation

Dynamically balanced, valve-less, and near pulsation-free

Reliable, Durable Solution

Long product life and simple field maintenance



	SI	IMPERIAL
NOMINAL OUTPUT	5 kW _e	6.7 hpe
VOLUME RATIO	3.25	
DISPLACEMENT	73 cm ³ /Rev.	4.45 in ³ /Rev.
MAX. SPEED	2,600 RPM	
MAX. INLET PRESSURE	13.8 bara	200 psia
MAX. INLET TEMP.	175 °C	345 °F
AMBIENT TEMP. RANGE	-20 °C – 40 °C	0 °F – 104 °F
NOMINAL SOUND LEVEL	55 dB(A)	
NET WEIGHT	82 kg	180 lb
PORT CONFIGURATION	SAE .75-16 (Inlet) SAE 1.312-12 (Outlet)	
PART NUMBER	E22H038B-A01	

MEDIA COMPATIBILITY

Most common refrigerants are compatible with the standard product configuration.

Operation requires lubrication.

OPTIONAL CONFIGURATIONS

Custom Flange Hub Shaft Dimensions

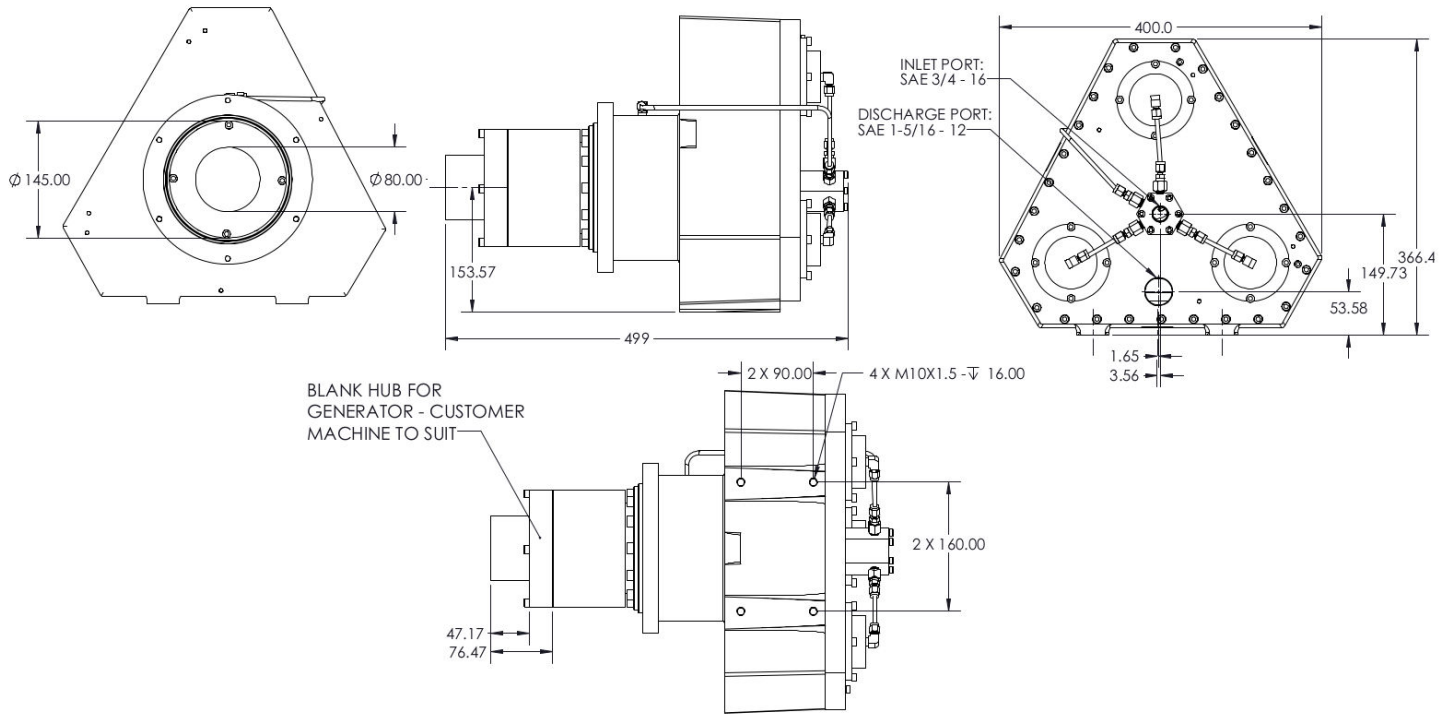
CUSTOM REQUIREMENTS

Qualified OEMs should consult Air Squared for custom configurations and application specific requirements.

Contact info@airsquared.com

The information presented in this material is based on technical data and test results of nominal units. It is believed to be accurate and reliable. Air Squared does not warrant, guarantee, or assume liability in connection with this information. Picture, Performance, and Dimensions for reference use only - visit airsquared.com for current specifications. Application conditions may adversely affect performance and product life. It is the responsibility of the user to determine the suitability of the product for intended use.

Dimensions



Dimensions in millimeters unless otherwise stated.

Connection Diagram

