

P05H012A-BLDC-C

Scroll Compressor



100% Oil-Free

Maintain the purity of your system

Ultra-Quiet, Smooth Operation

Dynamically balanced, valve-less, and near pulsation-free

Cost-Competitive

Affordable configurations for OEMs

Compact, Lightweight Design

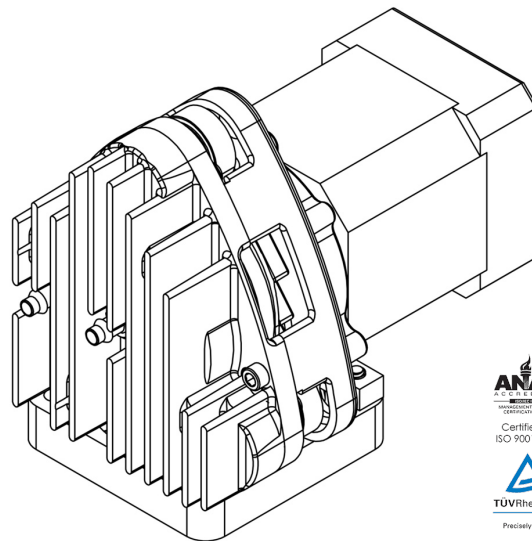
Fewer moving parts than competing technology

Efficient Performance

Continuous vacuum process with no re-expansion or throttling losses

Variable Speed

Ideal performance over a range of duty cycles – 100% continuous to intermittent



| | SI | IMPERIAL |
|---------------------|-----------------------------|------------------------------|
| MAX. PRESSURE | 2 barg | 30 psig |
| VOLUME RATIO | 2.75 | |
| MAX. FLOW | 6 lpmv | 0.2 cfmv |
| DISPLACEMENT | 2.55 cm ³ / Rev. | 0.149 in ³ / Rev. |
| MAX. SPEED | 3,000 RPM | |
| RATED POWER | 50 We | 0.067 hpe |
| RATED CURRENT | 2.3 A | |
| MOTOR | 24 V Brushless DC | |
| COOLING | 24 VDC Attached Fan | |
| AMBIENT TEMP. RANGE | -20 °C – 40 °C | 0 °F – 104 °F |
| NOMINAL SOUND LEVEL | 25 dB(A) | |
| NET WEIGHT | 0.43 kg | 1 lb |
| PORT CONFIGURATION | 10-32 UNF | |
| MEDIA | Air | |
| REGULATORY | RoHS Compliant | |
| PART NUMBER | P05H012A-B02 | |

AVAILABLE ACCESSORIES

- Brushless DC Controller
- Mounting Bracket

OPTIONAL CONFIGURATIONS

- Alternate Cooling Fan Mounting Location

OEM CONFIGURATIONS

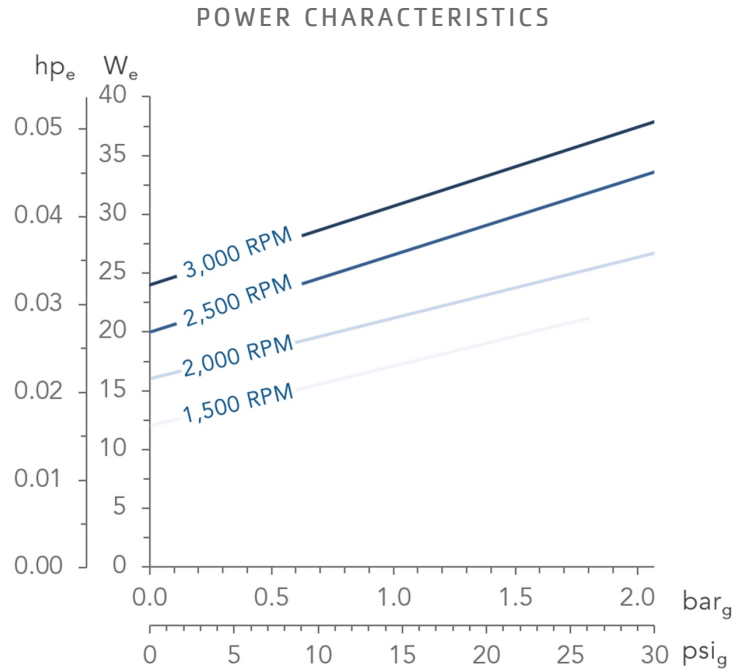
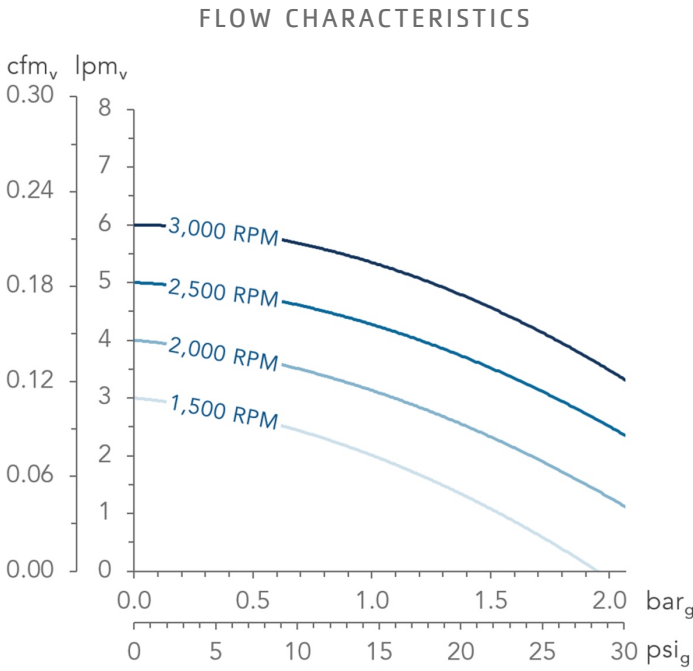
- Custom Mounting Bracket
- Custom Electrical Connector
- Custom Motor and Fan Voltage
- Custom Port Fittings

Qualified OEMs should consult Air Squared for custom configurations and application-specific requirements.

Contact info@airsquared.com.

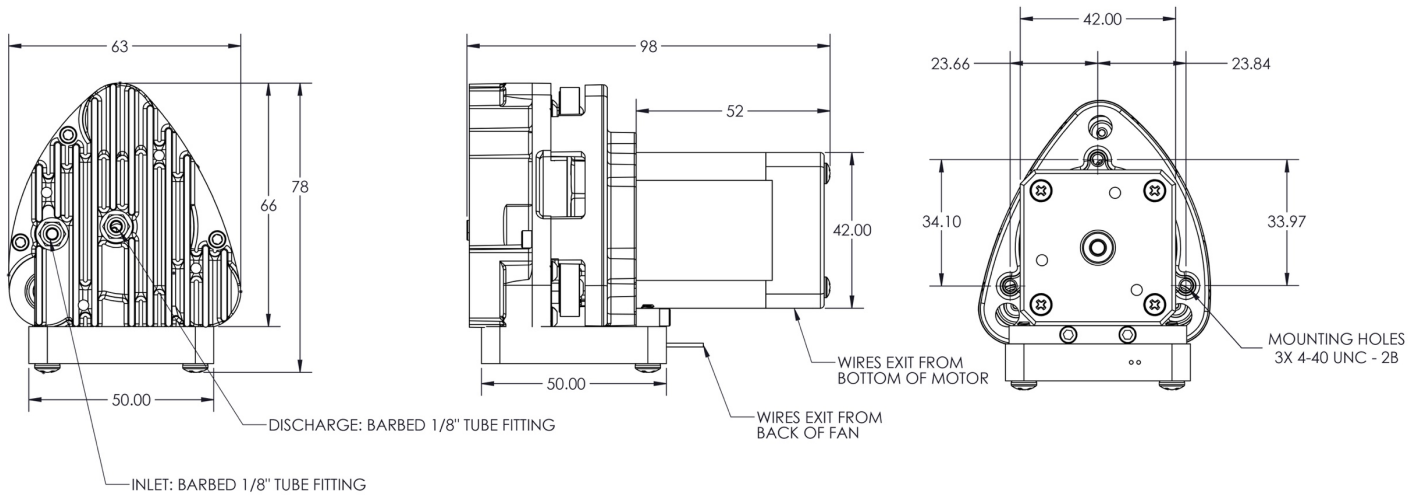
The information presented in this material is based on technical data and test results of nominal units. It is believed to be accurate and reliable. Air Squared does not warrant, guarantee, or assume liability in connection with this information. Picture, Performance, Dimensions, and Electrical information for reference use only - visit airsquared.com for current specifications. Application conditions may adversely affect performance and product life. It is the responsibility of the user to determine the suitability of the product for intended use.

Performance



Flow Characteristics reflect nominal volume flow with air at NIST standard inlet conditions. Power Characteristics reflect nominal electric power consumption in Broomfield, CO USA with standard motor and controller losses.

Dimensions



Dimensions in millimeters unless otherwise stated.