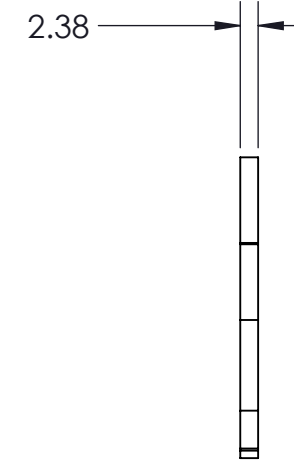
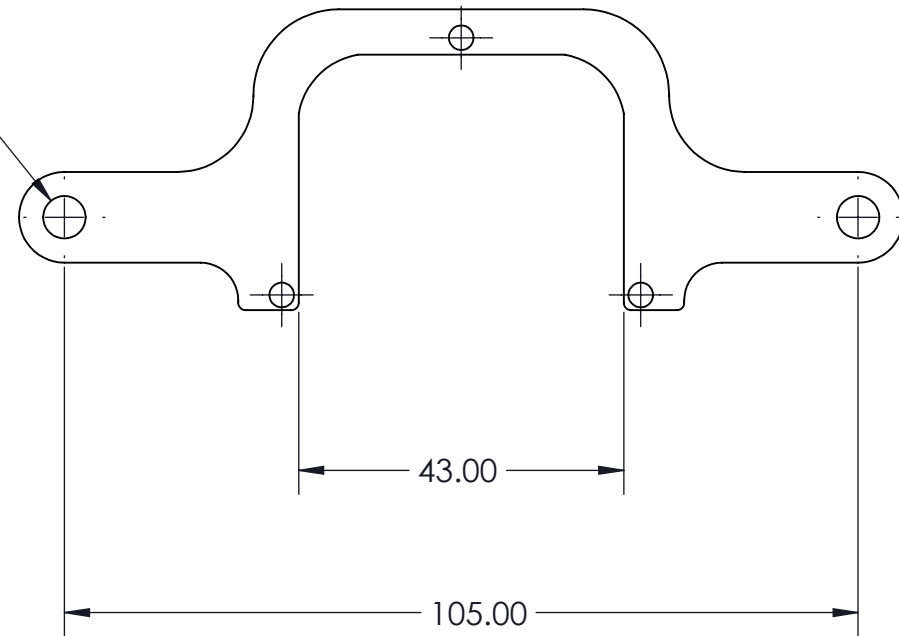
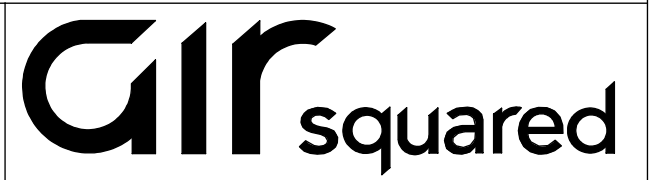


2X ϕ 5.61
THRU ALL



CONFIDENTIAL.
THIS DOCUMENT AND
THE DATA DISCLOSED
HEREIN OR HERewith IS
NOT TO BE
REPRODUCED, USED, OR
DISCLOSED IN WHOLE
OR IN PART TO ANYONE
WITHOUT THE
PERMISSION OF AIR
SQUARED, INC.



DESCRIPTION:
MOUNTING BRACKET - SALES
LAYOUT

DIMENSIONS ARE IN MM		SIZE	PART NO.	REV.
SHEET 1 OF 1	SCALE: 1:1	B	MOUNTING BRACKET	A