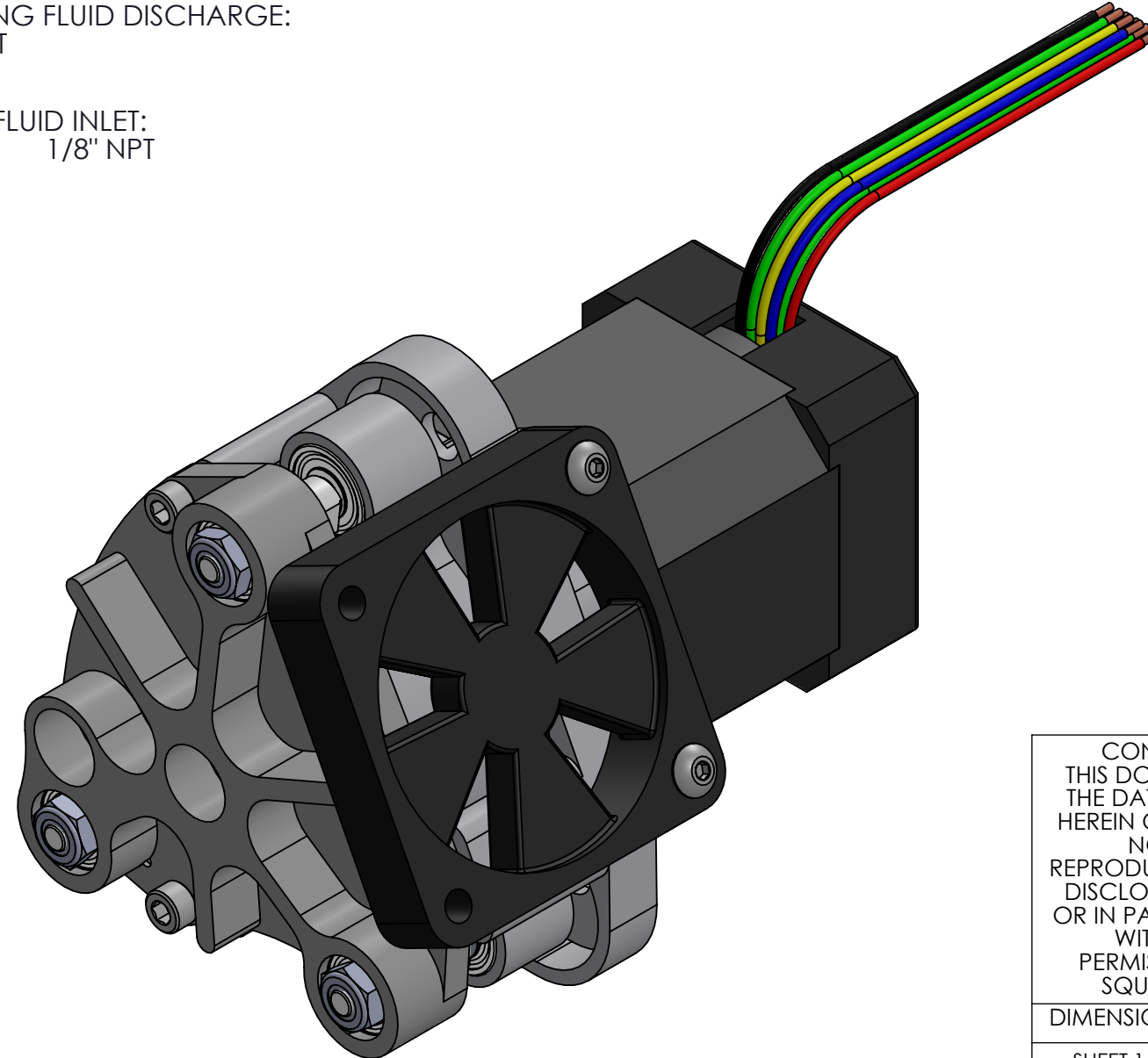
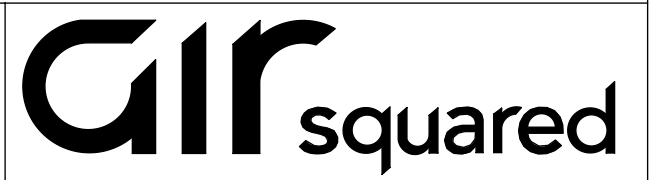


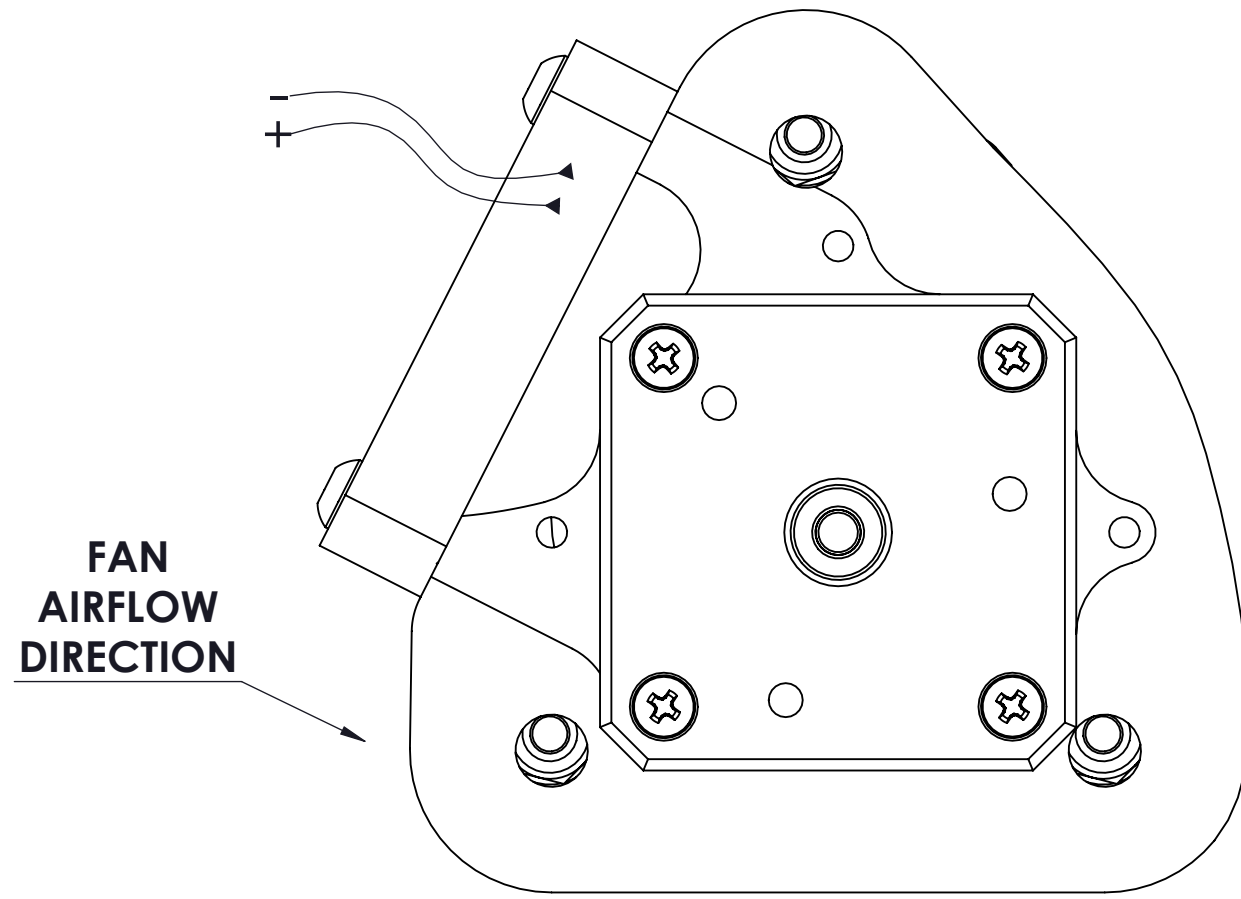
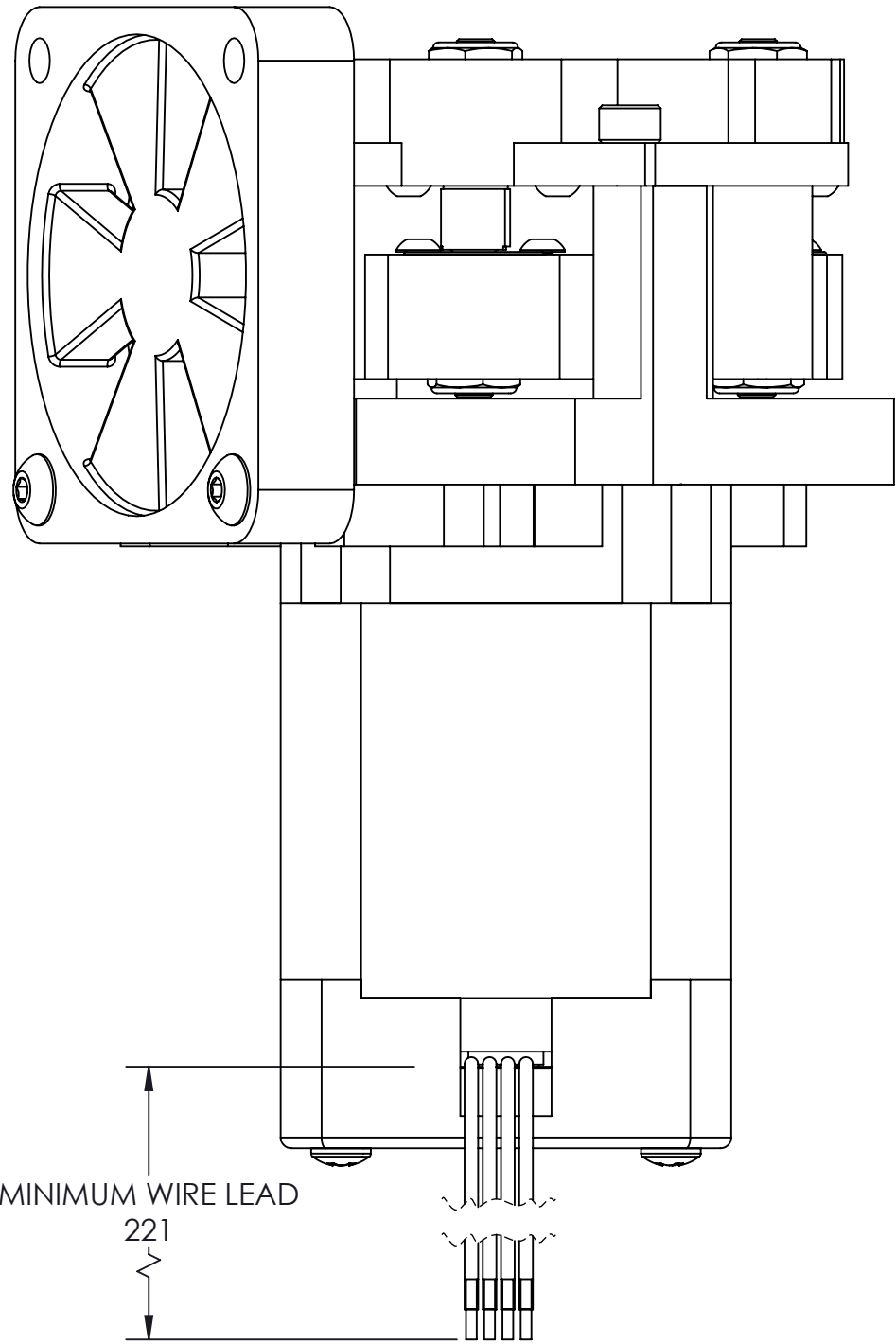
FAN SPECIFICATIONS		
VOLTAGE RATING	12 VDC	
CURRENT RATING	0.075 A	
POWER	0.9 W	
VACUUM SPECIFICATIONS		
VOLUME RATIO	3	
SUCTION VOLUME	5.25 cc	
MAX VACUUM	10 mBar _g	7.5 Torr
MAX FLOW	15 LPM _v	0.53 CFM _v
MASS	0.75 kg	1.65 Lb
MOTOR SPECIFICATIONS		
NOMINAL VOLTAGE	12 VDC	
CURRENT RATING	3.17 A	
NOMINAL SPEED	3000 RPM	
# OF POLES	8	



CONFIDENTIAL.
THIS DOCUMENT AND
THE DATA DISCLOSED
HEREIN OR HERewith IS
NOT TO BE
REPRODUCED, USED, OR
DISCLOSED IN WHOLE
OR IN PART TO ANYONE
WITHOUT THE
PERMISSION OF AIR
SQUARED, INC.



DESCRIPTION: SALES LAYOUT		
DIMENSIONS ARE IN MM	SIZE B	PART NO. V07H015A-A04
SHEET 1 OF 2	SCALE: 1:1	REV. 1



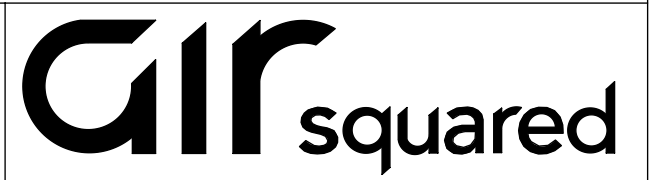
FAN POWER	
RED	+
BLACK	-

WIRE COLOR	SIGNAL
MOTOR POWER (LARGE WIRES)	
BLUE	A
YELLOW	B
GREEN	C
HALL SENSORS (SMALL WIRES)	
YELLOW	1
GREEN	2
BLUE	3
RED	VCC
BLACK	GND

1. MOTOR LEADS TO BE ORIENTED AS SHOWN.
BARE LEADS TYPICAL

2. FAN LEADS TO BE ORIENTED AS SHOWN.
BARE LEADS TYPICAL

CONFIDENTIAL.
THIS DOCUMENT AND
THE DATA DISCLOSED
HEREIN OR HERewith IS
NOT TO BE
REPRODUCED, USED, OR
DISCLOSED IN WHOLE
OR IN PART TO ANYONE
WITHOUT THE
PERMISSION OF AIR
SQUARED, INC.



DESCRIPTION:
SALES LAYOUT

DIMENSIONS ARE IN MM
SHEET 2 OF 2 SCALE: 3:2

SIZE B	PART NO. V07H015A-A04	REV. 1
------------------	--------------------------	-----------