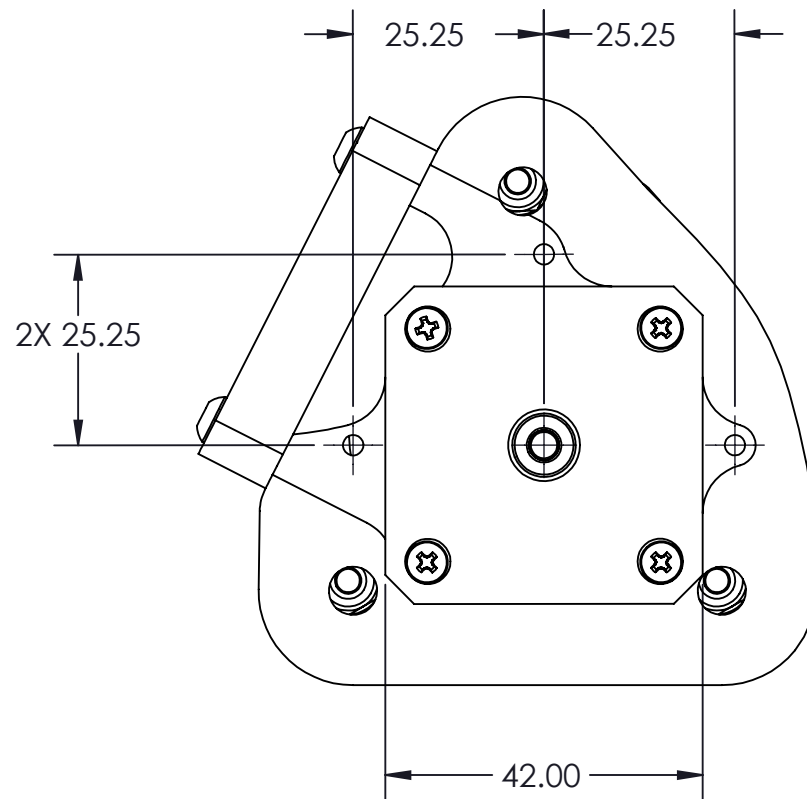
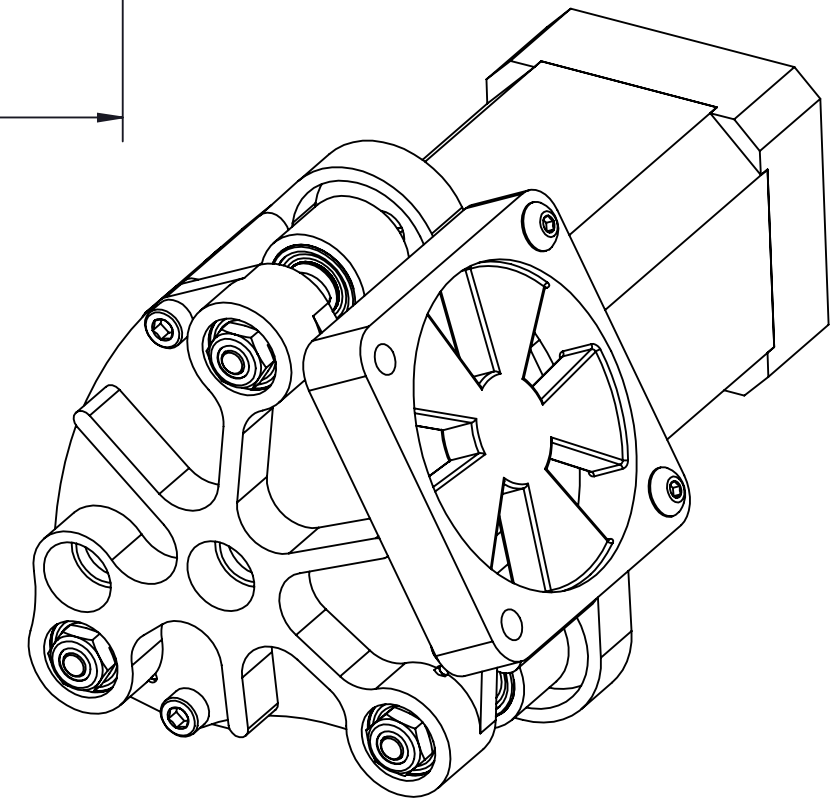
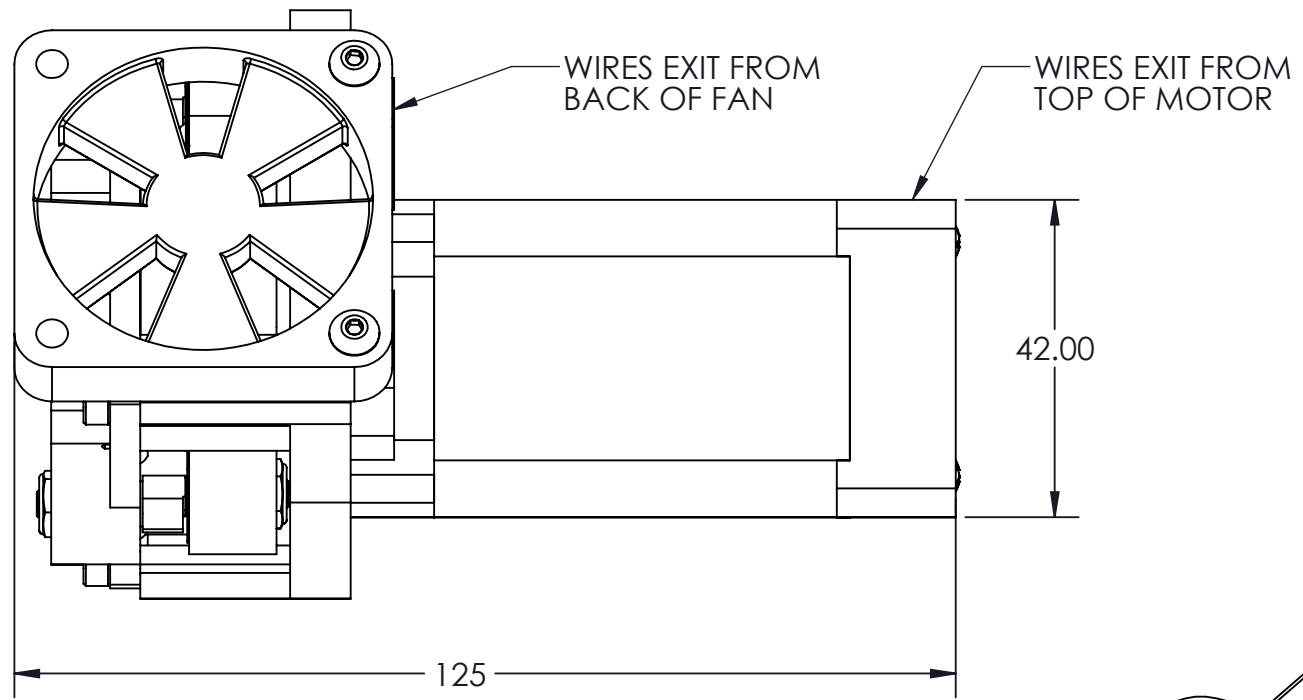


DISCHARGE: SAE 1/8" NPT

INLET: SAE 1/8" NPT



WIRE COLOR	SIGNAL
MOTOR POWER (LARGE WIRES)	
YELLOW	B
GREEN	C
BLUE	A
HALL SENSORS (SMALL WIRES)	
YELLOW	1
GREEN	2
BLUE	3
RED	VCC
BLACK	GND
FAN POWER	
RED	+
BLACK	-

CONFIDENTIAL.
THIS DOCUMENT AND
THE DATA DISCLOSED
HEREIN OR HERewith IS
NOT TO BE
REPRODUCED, USED, OR
DISCLOSED IN WHOLE
OR IN PART TO ANYONE
WITHOUT THE
PERMISSION OF AIR
SQUARED, INC.

Air squared

DESCRIPTION:
SALES LAYOUT

DIMENSIONS ARE IN MM
SHEET 1 OF 1 SCALE: 1:1

SIZE B	PART NO. P07H015A-A03	REV. 4
------------------	--------------------------	------------------