

E25H06 1A-SH-CI

10 kW Lubricated Scroll Expander

Oil-Flooded Operation

Injection ports ensure optimal oil circulation for improved efficiency and long product life

Cast Iron Construction

Durable construction materials used for fluid compatibility and reliable operation at high temperatures and pressures

Semi-Hermetic Design

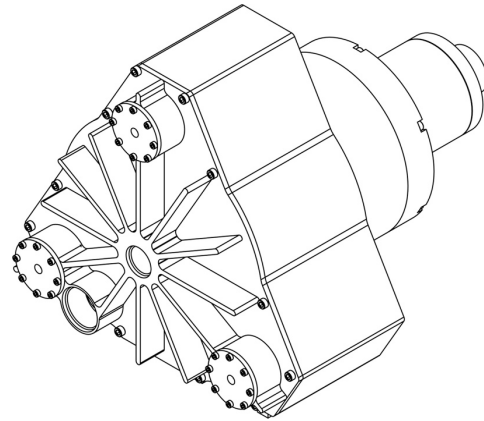
No dynamic seals with patented magnetic coupling configuration

Efficient Power Generation

Volumetric efficiency up to 85% with adequate lubrication

Quiet, Smooth Operation

Dynamically balanced, valve-less, and nearly pulsation-free



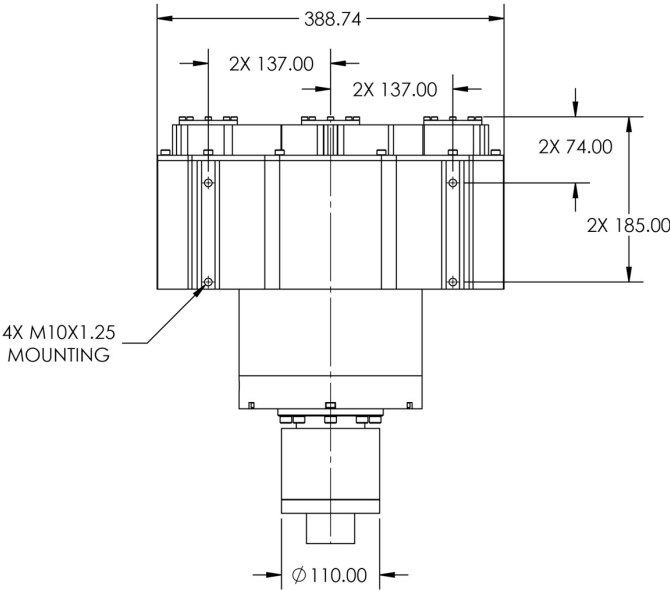
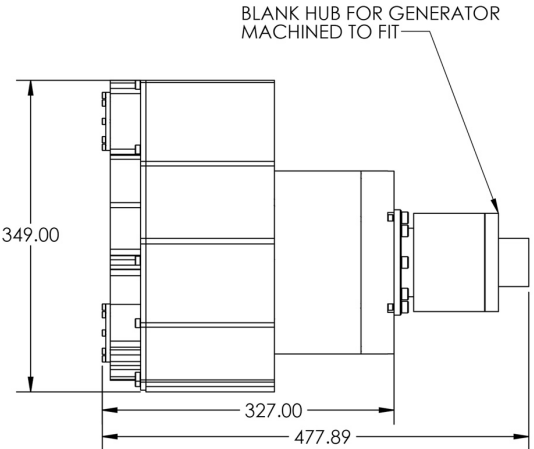
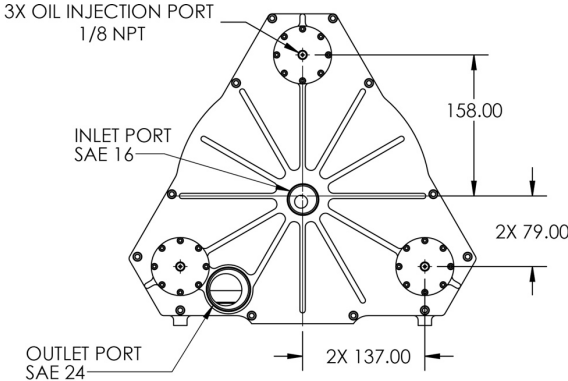
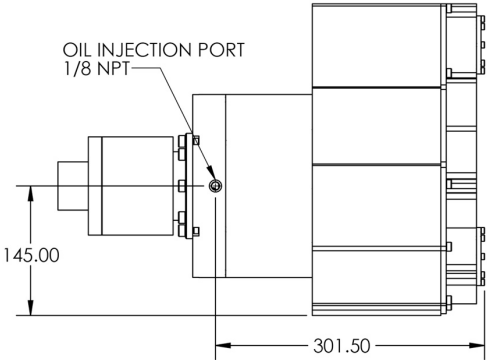
	SI	IMPERIAL	MEDIA COMPATIBILITY
NOMINAL OUTPUT	10 kW _e	13.4 hp _e	Air, CO ₂ , CO, He, N ₂ , Argon, H ₂ , O ₂ , Natural Gas, and common refrigerants are compatible with the standard product configuration.
VOLUME RATIO	4.25		
DISPLACEMENT	155 cm ³ / Rev.	9.5 in ³ / Rev.	OPTIONAL CONFIGURATIONS
MAX. SPEED	2,600 RPM		
MAX. INLET PRESSURE	10 bar _a	145 psi _a	Custom Flange Hub Shaft Dimensions Stainless Steel Construction for Increased Temperature and Pressure
MAX. INLET TEMP.	200 °C	392 °F	
AMBIENT TEMP. RANGE	-20 °C – 40 °C	0 °F – 104 °F	CUSTOM REQUIREMENTS
NOMINAL SOUND LEVEL	60 dB(A)		
NET WEIGHT	80 kg	176 lb	Qualified OEMs should consult Air Squared for custom configurations and application specific requirements. Contact info@airsquared.com.
PORT CONFIGURATION	SAE 16 (Inlet) SAE 24 (Discharge)		
MEDIA	Refrigerant, Other		
PART NUMBER	E25H061A-B01		

The information presented in this material is based on technical data and test results of nominal units. It is believed to be accurate and reliable. Air Squared does not warrant, guarantee, or assume liability in connection with this information.

Picture, Performance, Dimensions, and Electrical information for reference use only - visit airsquared.com for current specifications.

Application conditions may adversely affect performance and product life. It is the responsibility of the user to determine the suitability of the product for intended use.

Dimensions



Dimensions in millimeters unless otherwise stated.