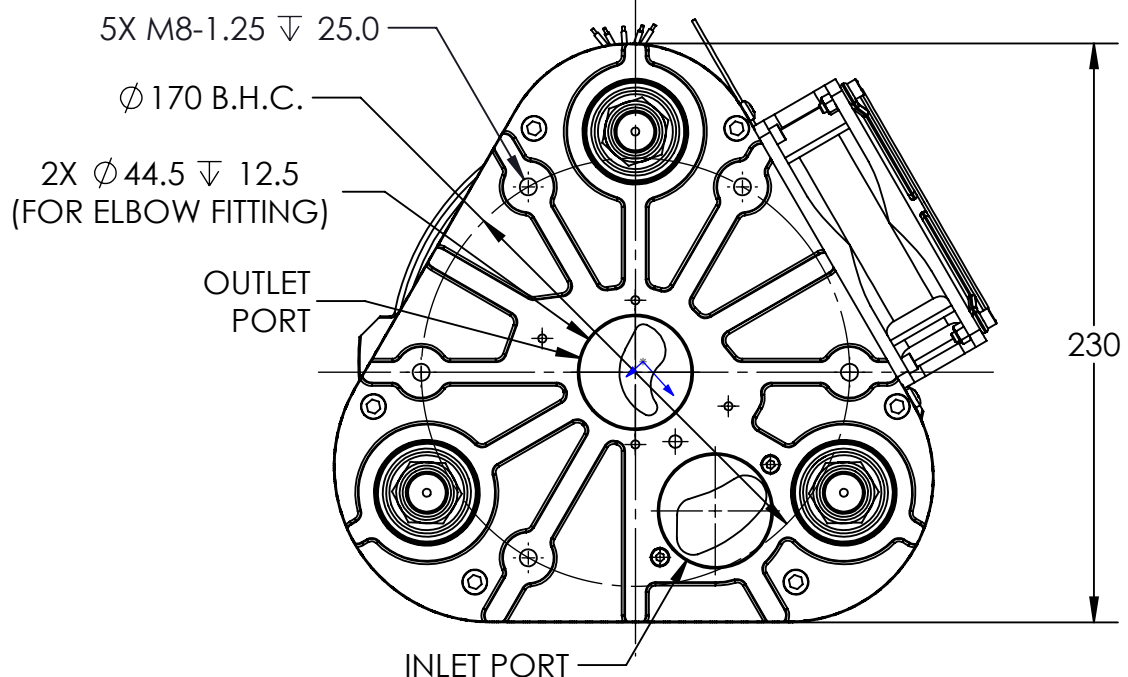
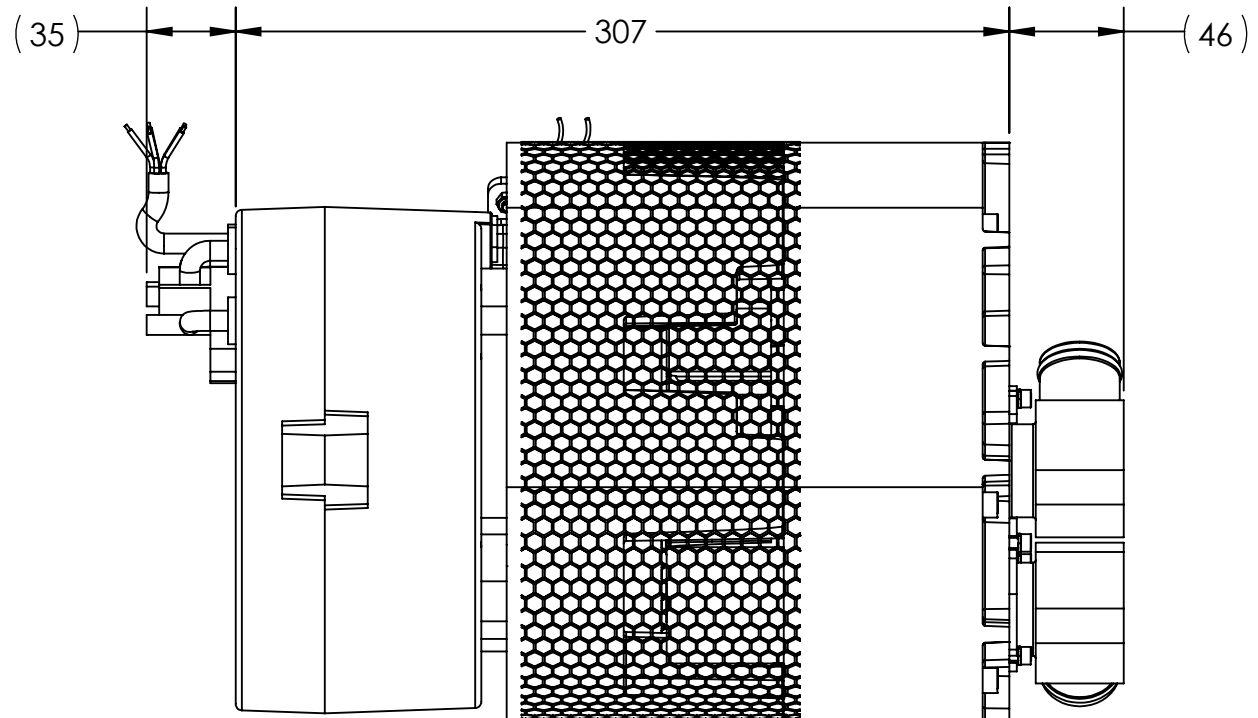


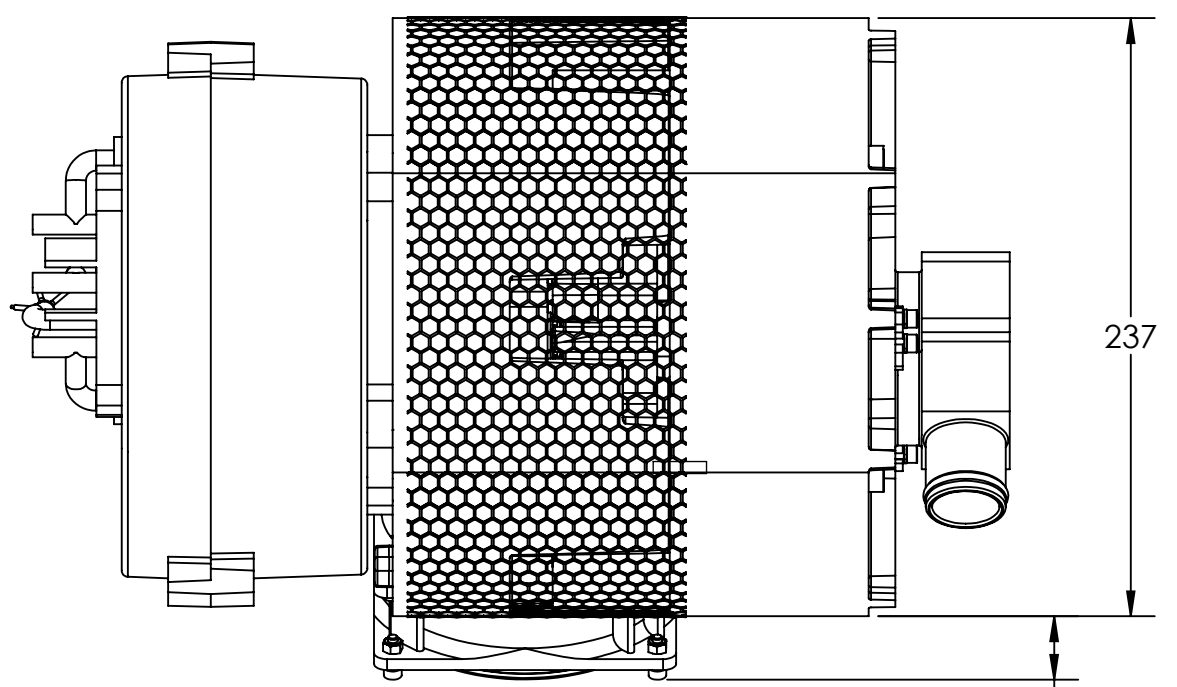
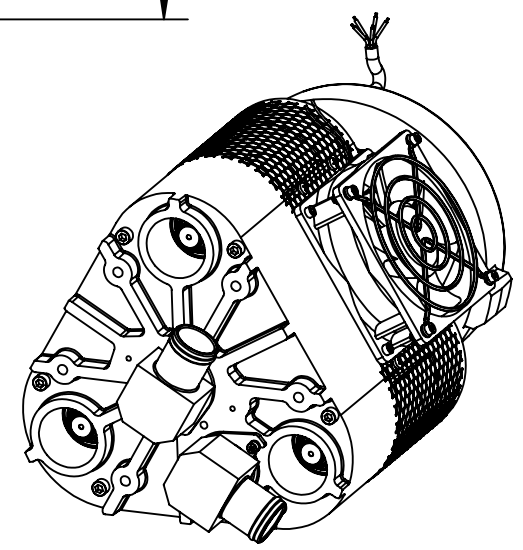
8 7 6 5 4 3 2 1

D
C
B
A



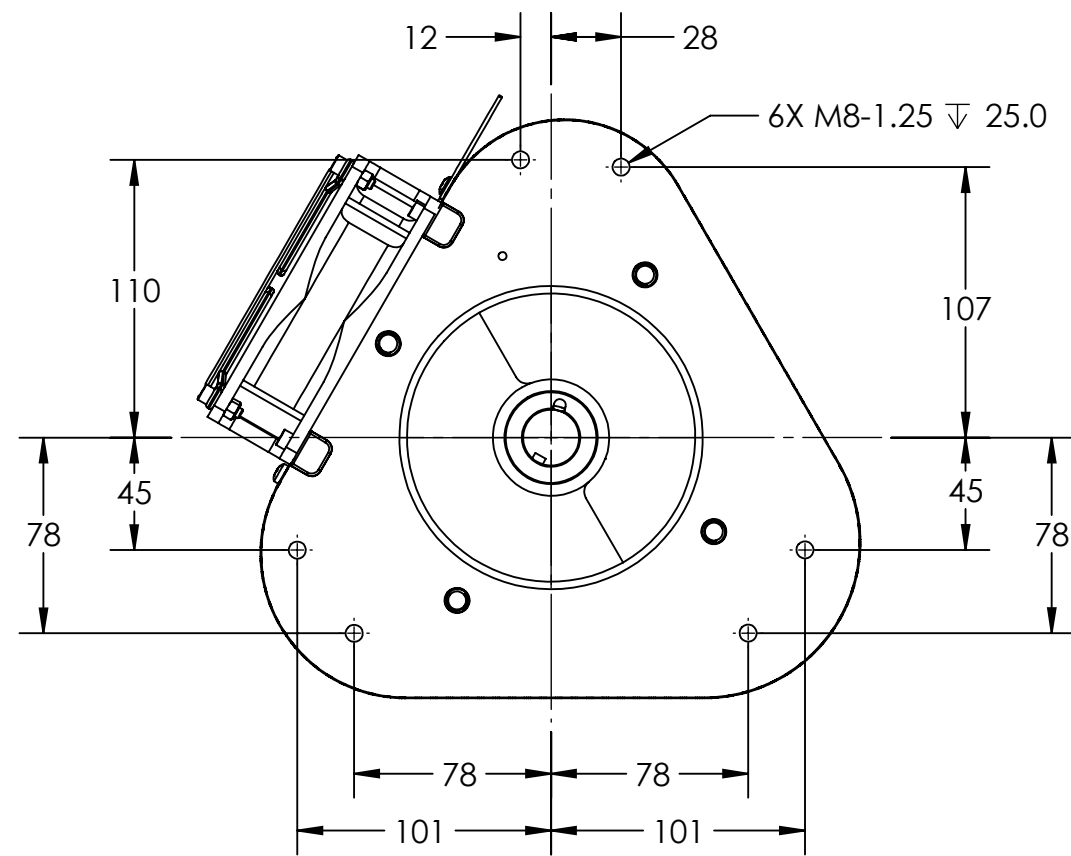
230

FRONT MOUNTING
 (ELBOWS AND BRACKET REMOVED)




8 7 6 5 4 3 2 1

CONFIDENTIAL. THIS DOCUMENT AND THE DATA DISCLOSED HEREIN OR HERewith IS NOT TO BE REPRODUCED, USED, OR DISCLOSED IN WHOLE OR IN PART TO ANYONE WITHOUT THE PERMISSION OF AIR SQUARED, INC.				
		DESCRIPTION: V27H069A-B01 SCROLL VACUUM PUMP		
DIMENSIONS ARE IN MM SHEET 1 OF 2		SIZE B	PART NO. V27H069A-B01	REV. 0



REAR MOUNTING
(BACK VIEW WITH MOTOR REMOVED)

CONFIDENTIAL. THIS DOCUMENT AND THE DATA DISCLOSED HEREIN OR HEREWITH IS NOT TO BE REPRODUCED, USED, OR DISCLOSED IN WHOLE OR IN PART TO ANYONE WITHOUT THE PERMISSION OF AIR SQUARED, INC.				
				DESCRIPTION: V27H069A-B01 SCROLL VACUUM PUMP
DIMENSIONS ARE IN MM SHEET 2 OF 2		SIZE B	PART NO. V27H069A-B01	REV. 0