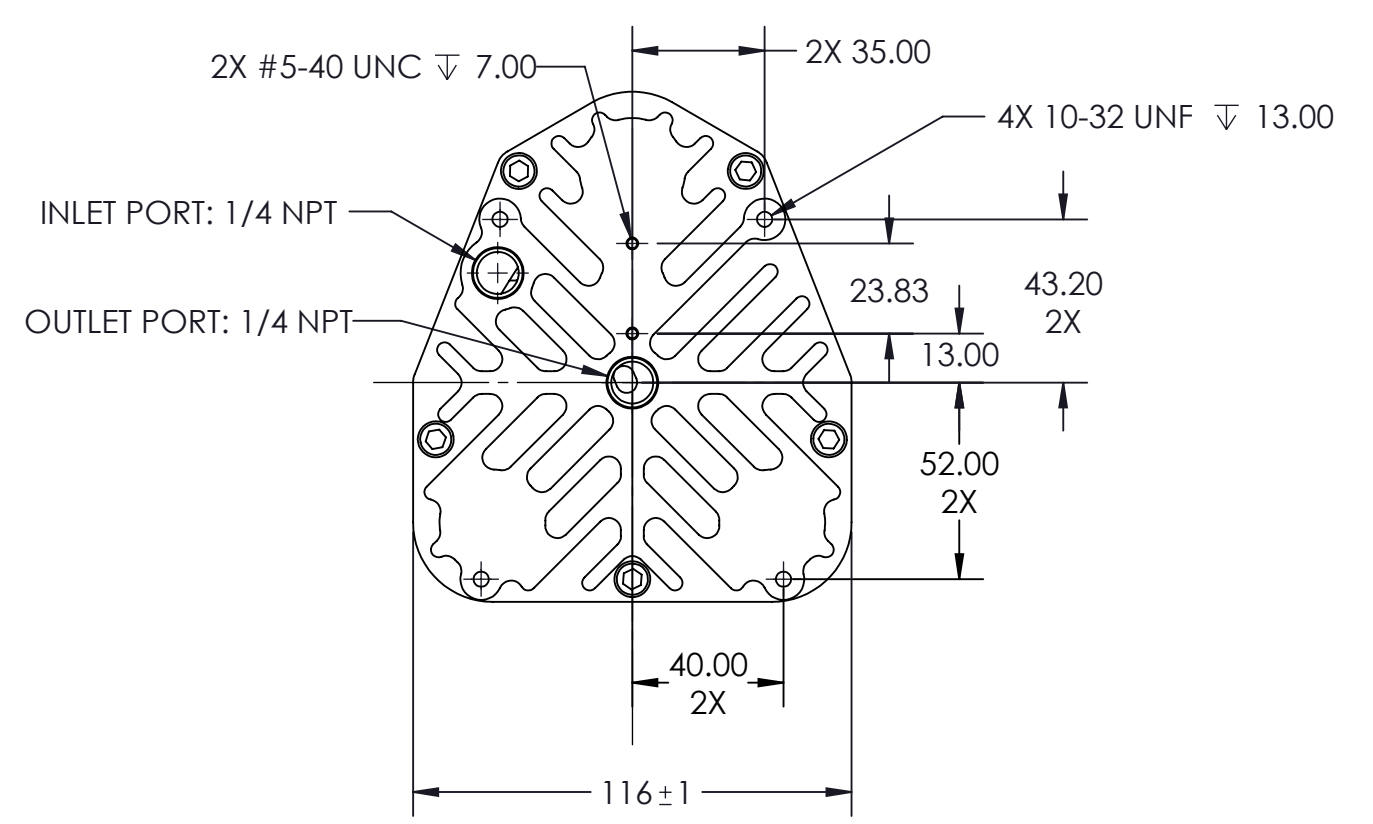
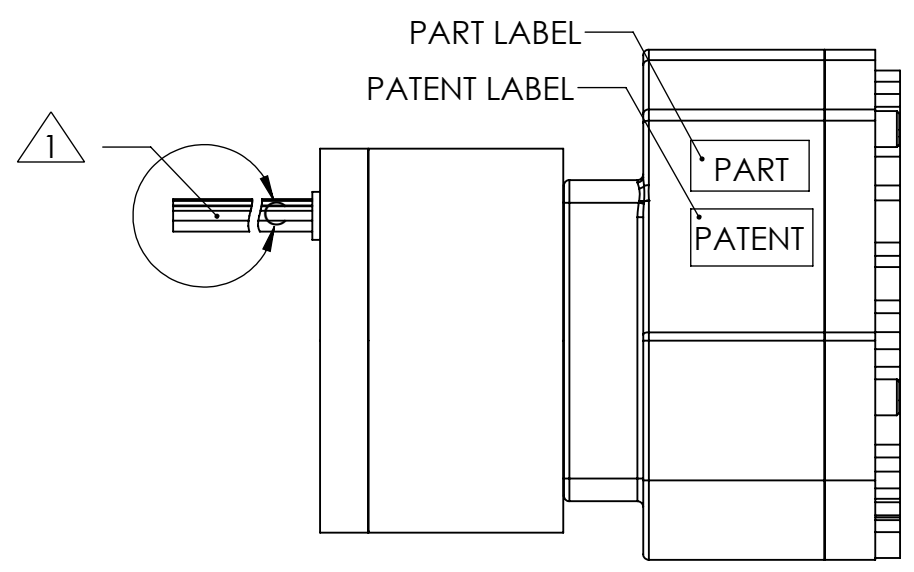


8 7 6 5 4 3 2 1

D

D

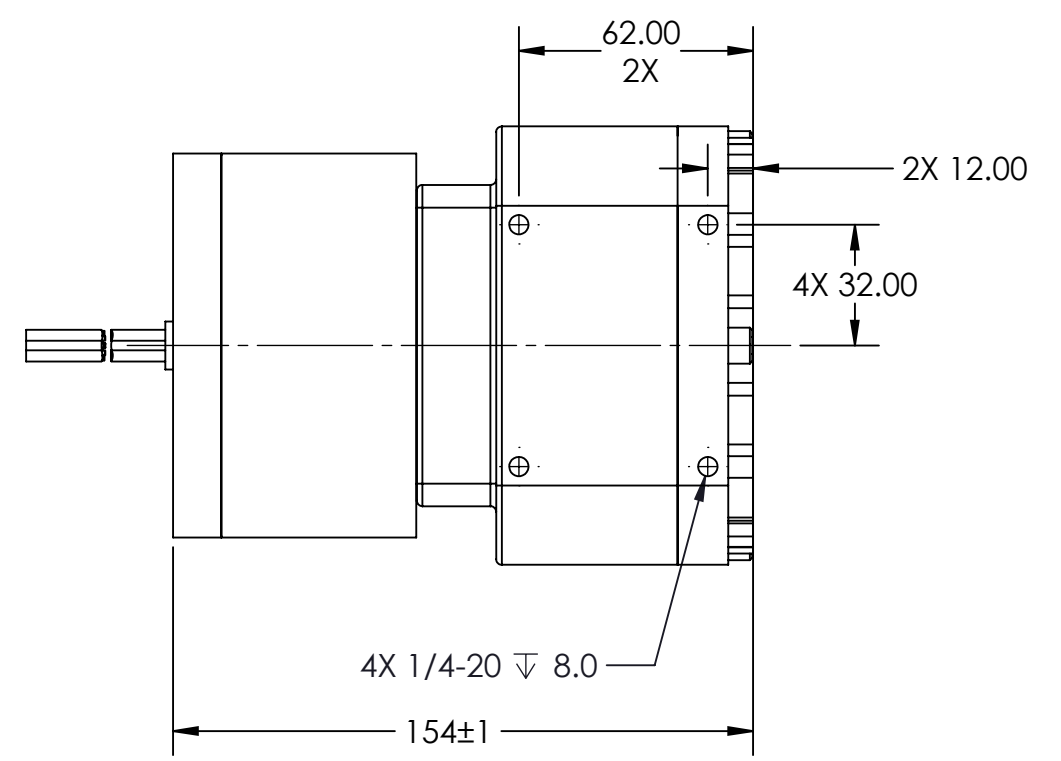


C

C

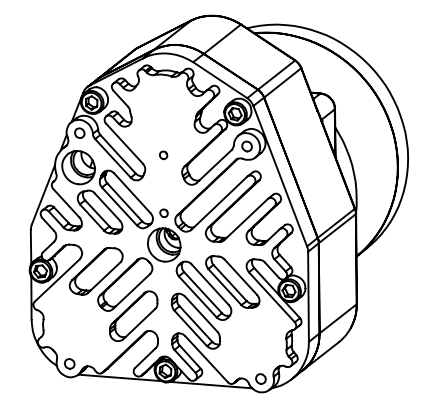
B

B

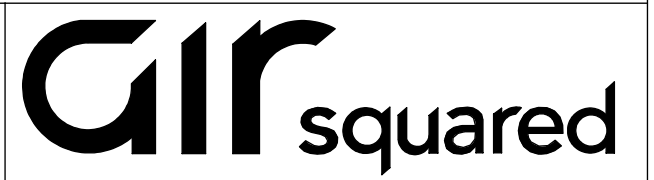


A

A



CONFIDENTIAL.
THIS DOCUMENT AND
THE DATA DISCLOSED
HEREIN OR HERewith IS
NOT TO BE
REPRODUCED, USED, OR
DISCLOSED IN WHOLE
OR IN PART TO ANYONE
WITHOUT THE
PERMISSION OF AIR
SQUARED, INC.



DESCRIPTION:
V14H024A-A02 VACUUM PUMP
- SALES LAYOUT

DIMENSIONS ARE IN MM		SIZE	PART NO.	REV.
SHEET 1 OF 1	SCALE: 1:5	B	V14H024A-A02	0

8 7 6 5 4 3 2 1