

V16H034C-BLDC

Scroll Vacuum Pump

100% Oil-Free

Maintain the purity of your system

Quiet, Smooth Operation

Dynamically balanced, valve-less, and near pulsation-free

Compact, Lightweight Design

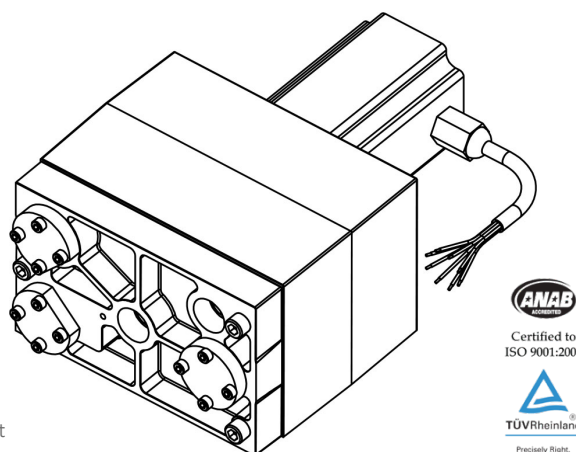
Fewer moving parts than competing technology

Efficient Performance

Continuous compression process - no re-expansion or throttling losses

Variable Speed

Ideal performance over a range of duty cycles – 100% continuous to intermittent



	SI	IMPERIAL
MAX. VACUUM	< 350 mbar _a	< 262.5 torr
VOLUME RATIO	1.56	
MAX. FLOW	130 lpm _v	4.6 cfm _v
DISPLACEMENT	48 cm ³ / Rev.	2.93 in ³ / Rev.
MAX. SPEED	3,000 RPM	
RATED POWER	165 W _e	0.22 hp _e
RATED CURRENT	6.8 A	
MOTOR	24 V Brushless DC	
COOLING	External Cooling Recommended	
AMBIENT TEMP. RANGE	-20 °C – 40 °C	0 °F – 104 °F
NOMINAL SOUND LEVEL	45 dB(A)	
NET WEIGHT	3.4 kg	7.5 lb
PORT CONFIGURATION	3/8" NPT	
MEDIA	Air	
PART NUMBER	V16H034C-A01	

OPTIONAL CONFIGURATIONS

RoHS Compliant Model

Custom Electrical Connector

AVAILABLE ACCESSORIES

Brushless DC Controller

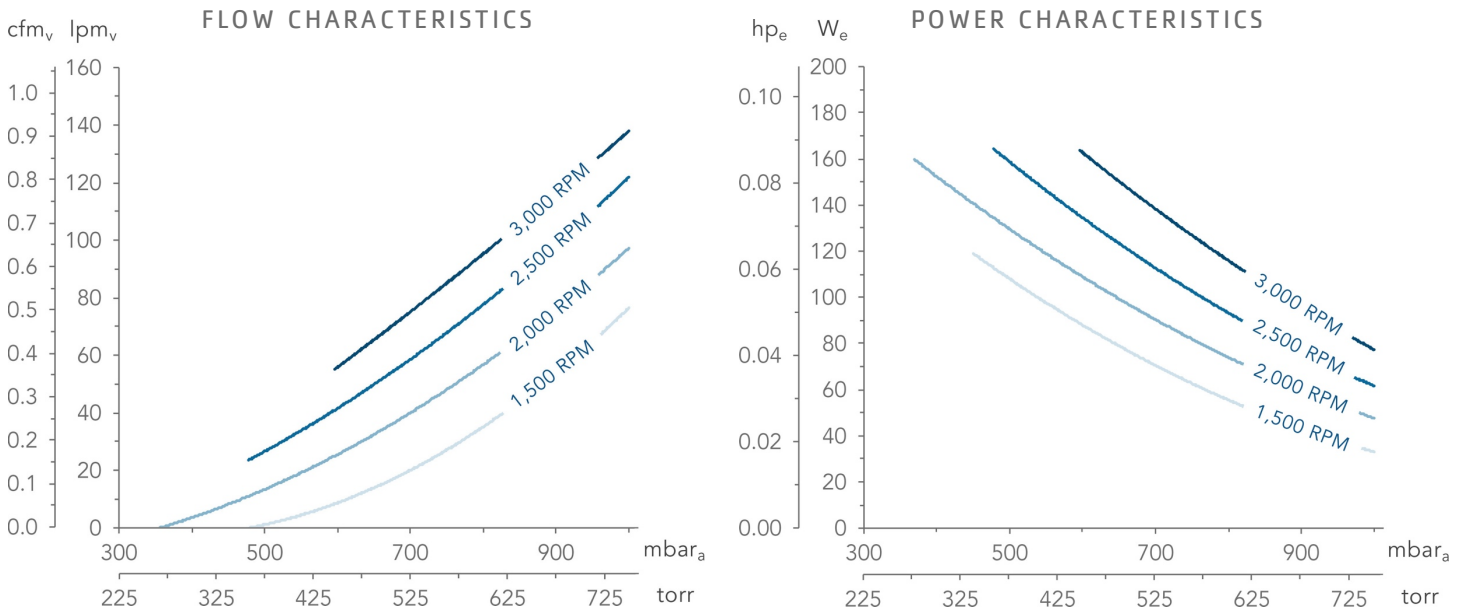
CUSTOM REQUIREMENTS

Qualified OEMs should consult Air Squared for custom configurations and application specific requirements.

Contact info@airsquared.com.

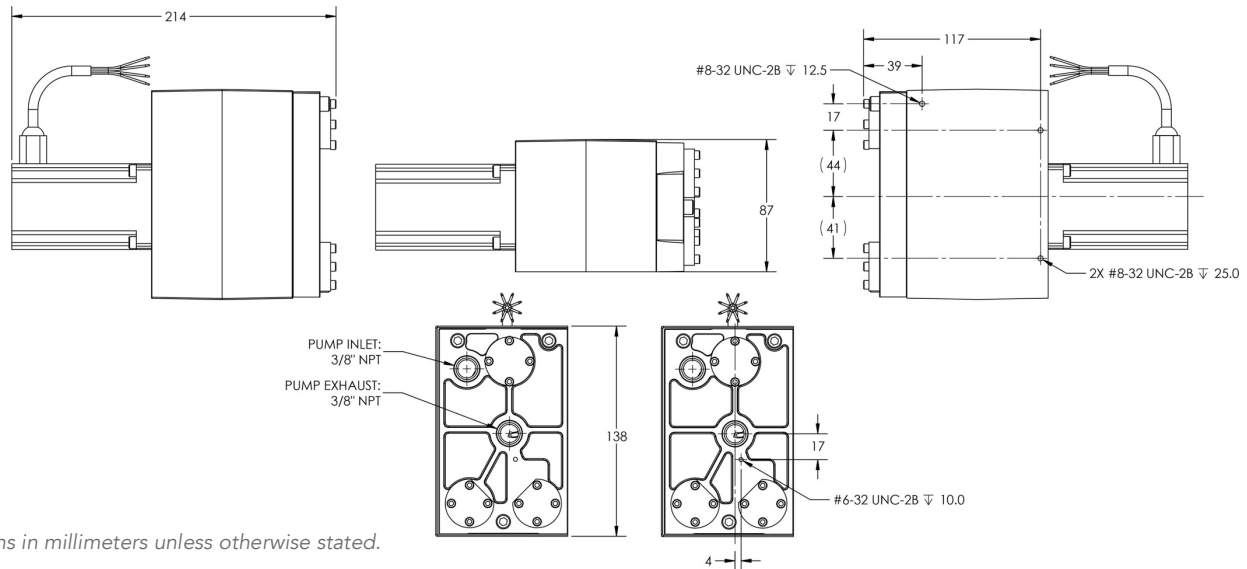
The information presented in this material is based on technical data and test results of nominal units. It is believed to be accurate and reliable. Air Squared does not warrant, guarantee, or assume liability in connection with this information. Picture, Performance, Dimensions, and Electrical information for reference use only - visit airsquared.com for current specifications. Application conditions may adversely affect performance and product life. It is the responsibility of the user to determine the suitability of the product for intended use.

Performance

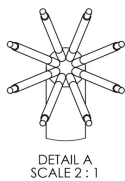
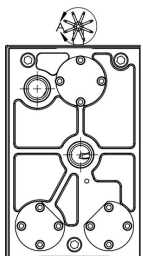


Flow Characteristics reflect nominal volume flow with air at NIST standard inlet conditions. Power Characteristics reflect nominal electric power consumption in Broomfield, CO USA with standard motor and controller losses.

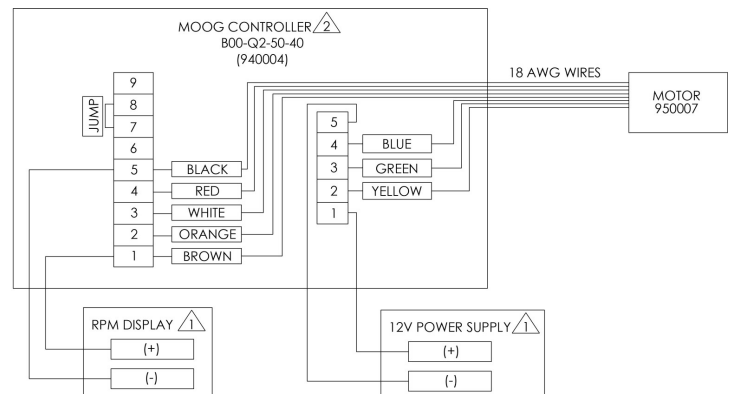
Dimensions



Electrical



COLOR	DESCRIPTION
RED	VCC
BLACK	GND
YELLOW	PHASE A
GREEN	PHASE B
BLUE	PHASE C
BROWN	SERVO 1
ORANGE	SERVO 2
WHITE	SERVO 3



Brushless DC motors are variable speed. Electronic controller module is required for operation.