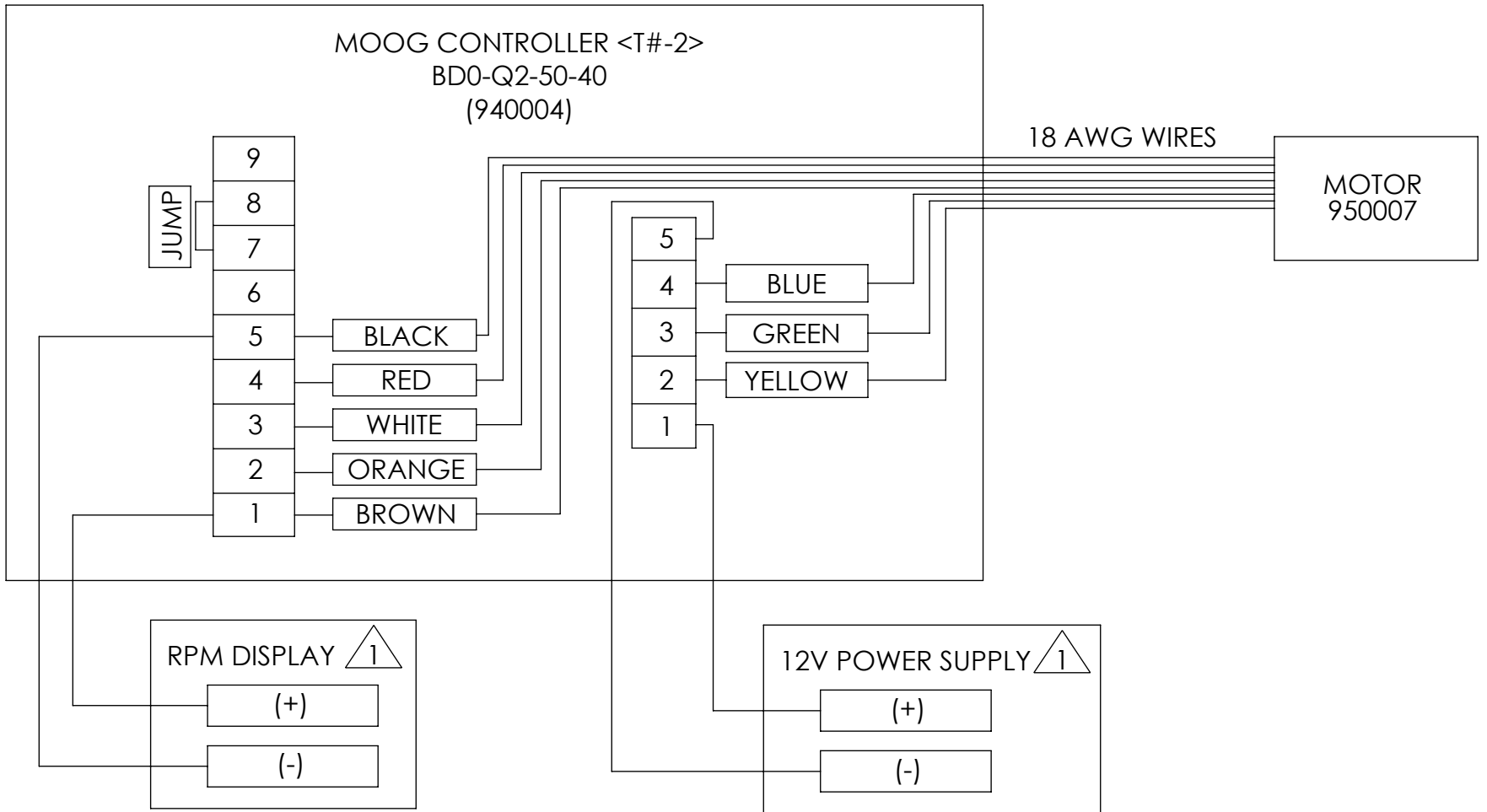


DETAIL A
SCALE 2:1

COLOR	DESCRIPTION
RED	VCC
BLACK	GND
YELLOW	PHASE A
GREEN	PHASE B
BLUE	PHASE C
BROWN	SERVO 1
ORANGE	SERVO 2
WHITE	SERVO 3



- 1 NOT SUPPLIED BY AIR SQUARED. SHOWN FOR CUSTOMER USE.
- 2 CONTROLLER NOT INCLUDED SEPARATE ACCESSORY
- 3. BARE WIRE CONNECTIONS TYPICAL

CONFIDENTIAL. THIS DOCUMENT AND THE DATA DISCLOSED HEREIN OR HERewith IS NOT TO BE REPRODUCED, USED, OR DISCLOSED IN WHOLE OR IN PART TO ANYONE WITHOUT THE PERMISSION OF AIR SQUARED, INC.			
	DESCRIPTION: V16H034C-A01 SCROLL COMPRESSOR - WIRING DIAGRAM		
DIMENSIONS ARE IN MM SHEET 1 OF 1	SIZE B	PART NO. V16H034C-A01	REV. 4