

8 7 6 5 4 3 2 1

D

C

B

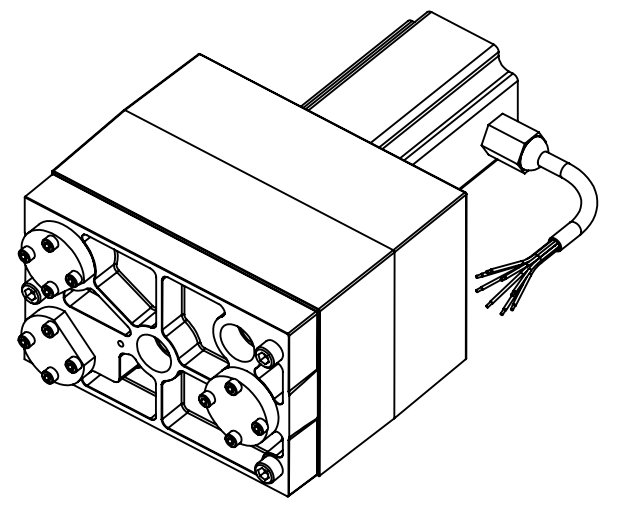
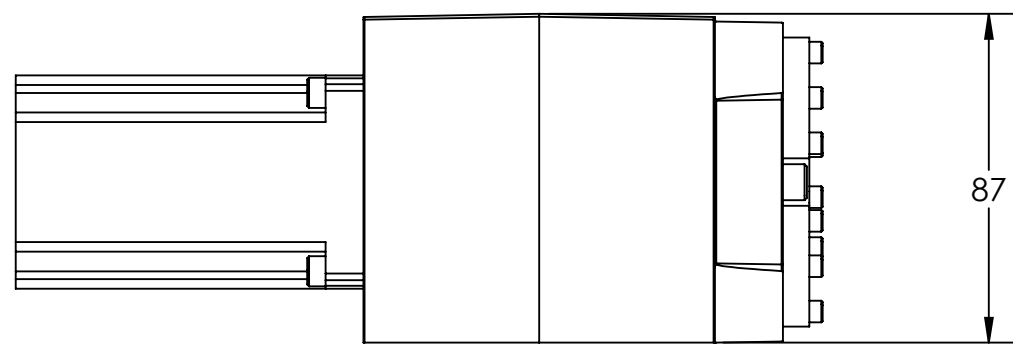
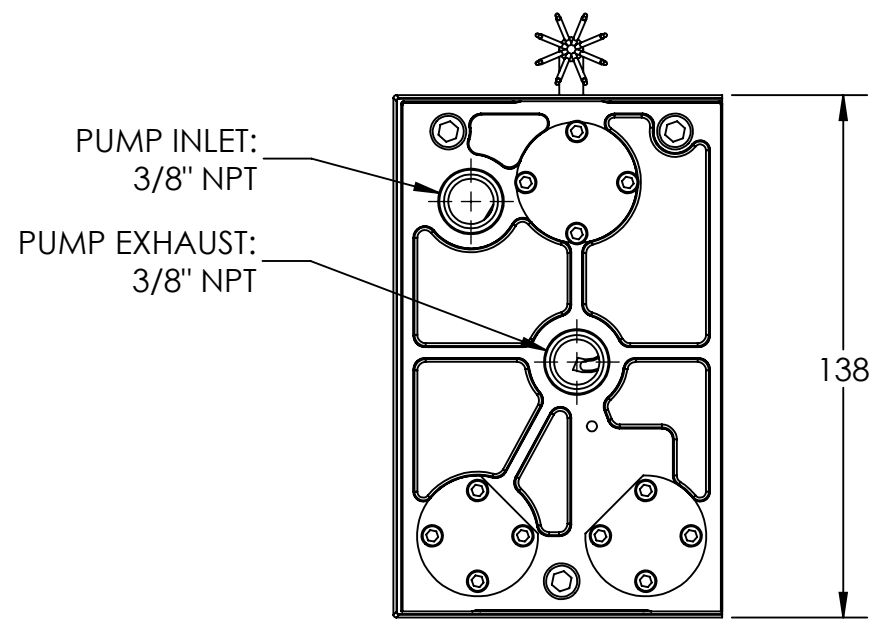
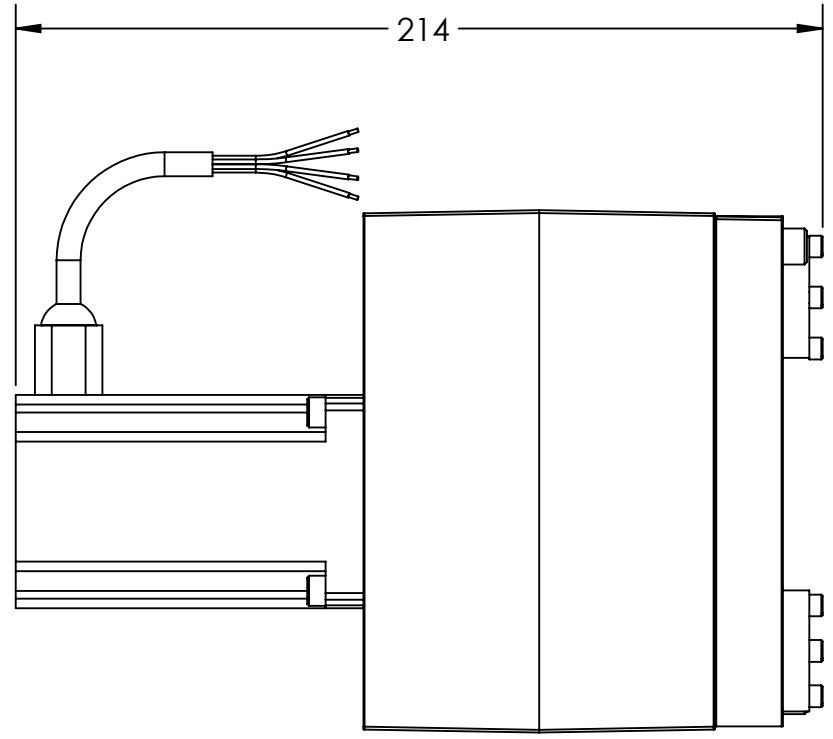
A

D

C

B

A

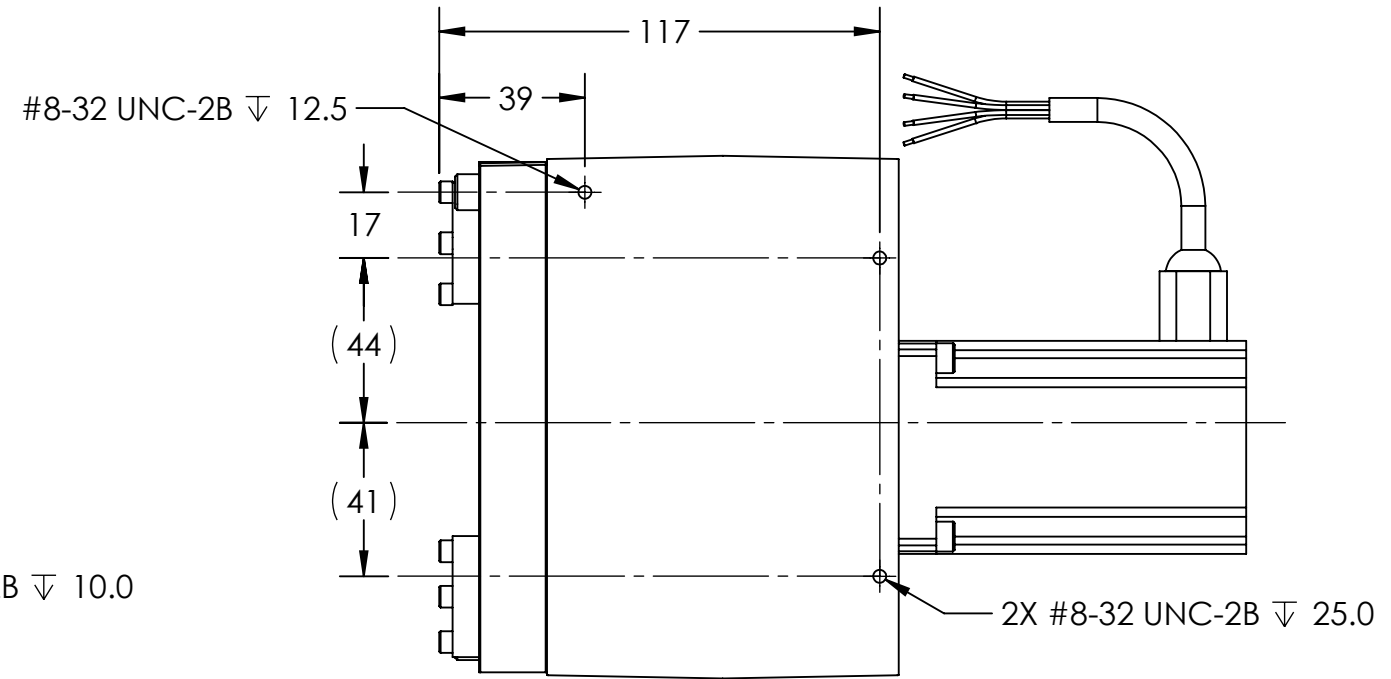
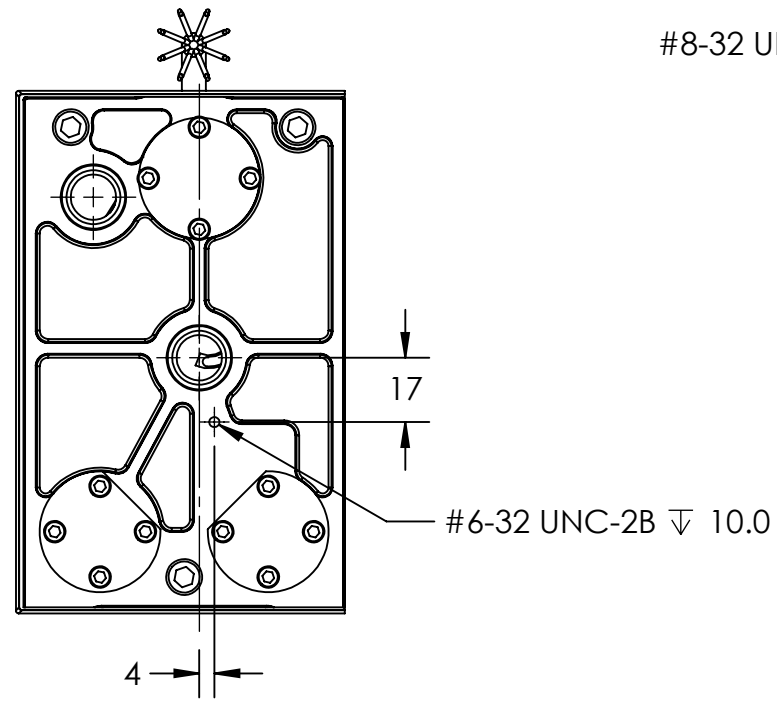


CONFIDENTIAL. THIS DOCUMENT AND THE DATA DISCLOSED HEREIN OR HERewith IS NOT TO BE REPRODUCED, USED, OR DISCLOSED IN WHOLE OR IN PART TO ANYONE WITHOUT THE PERMISSION OF AIR SQUARED, INC.				
				DESCRIPTION: V16H034C-A01 SCROLL VACUUM PUMP - SALES LAYOUT
DIMENSIONS ARE IN MM SHEET 1 OF 2		SIZE <b>B</b>	PART NO. V16H034C-A01	REV. <b>4</b>

8 7 6 5 4 3 2 1

8 7 6 5 4 3 2 1

D  
C  
B  
A



CONFIDENTIAL.  
THIS DOCUMENT AND  
THE DATA DISCLOSED  
HEREIN OR HERewith IS  
NOT TO BE  
REPRODUCED, USED, OR  
DISCLOSED IN WHOLE  
OR IN PART TO ANYONE  
WITHOUT THE  
PERMISSION OF AIR  
SQUARED, INC.



DESCRIPTION:  
V16H034C-A01 SCROLL VACUUM  
PUMP - SALES LAYOUT

DIMENSIONS ARE IN MM		SIZE	PART NO.	REV.
SHEET 2 OF 2	SCALE: 1:2	<b>B</b>	V16H034C-A01	<b>4</b>

8 7 6 5 4 3 2 1