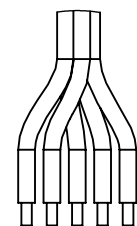
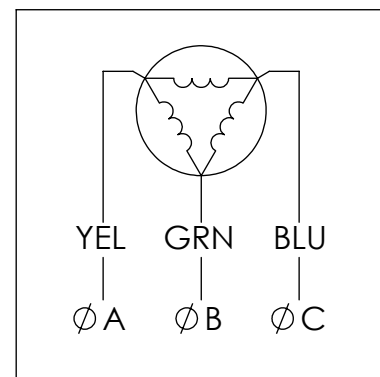


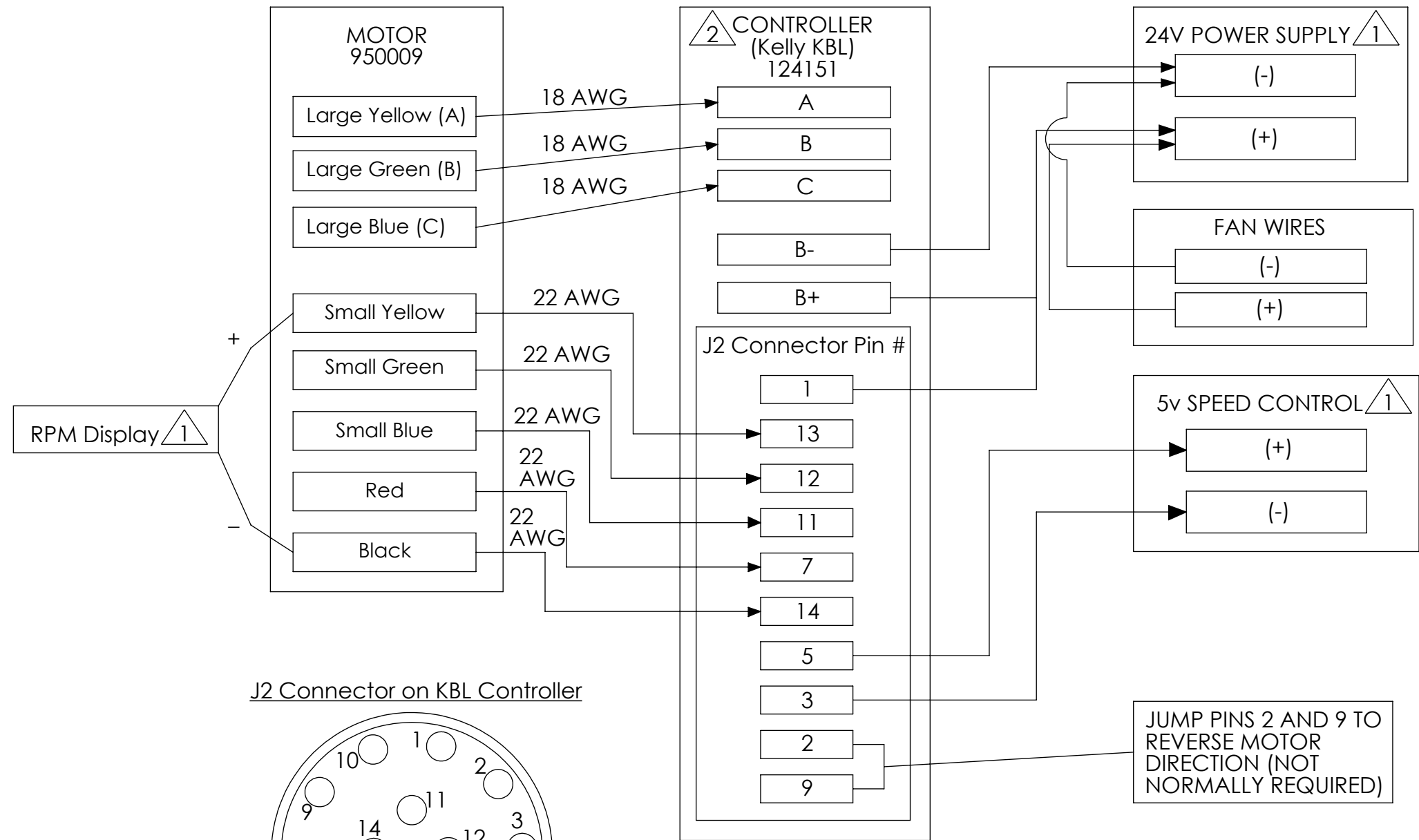
DETAIL A
SCALE 1 : 1



DETAIL B
SCALE 1 : 1

WIRE COLOR	SIGNAL
BLACK	GND
YELLOW	S1
GREEN	S2
BLUE	S3
RED	+V

NOTE: THE "+V" CAN BE FROM +5VDC TO +20VDC



- 1 NOT SUPPLIED BY AIR SQUARED. SHOWN FOR CUSTOMER USE.
- 2 CONTROLLER NOT INCLUDED SEPARATE ACCESSORY
- 3. BARE WIRE CONNECTIONS TYPICAL

CONFIDENTIAL. THIS DOCUMENT AND THE DATA DISCLOSED HEREIN OR HERewith IS NOT TO BE REPRODUCED, USED, OR DISCLOSED IN WHOLE OR IN PART TO ANYONE WITHOUT THE PERMISSION OF AIR SQUARED, INC.

Air squared

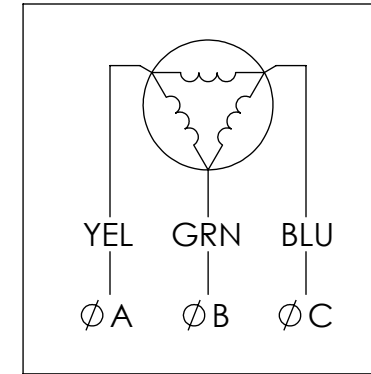
DESCRIPTION:
V16H030A-A03 SCROLL COMPRESSOR - WIRING DIAGRAM

DIMENSIONS ARE IN MM	SIZE	PART NO.	REV.
SHEET 1 OF 2	B	V16H030A-A03	0

SCALE: 1:2

WIRE COLOR	SIGNAL
BLACK	GND
YELLOW	S1
GREEN	S2
BLUE	S3
RED	+V

NOTE: THE "+V" CAN BE FROM +5VDC TO +20VDC



1 MOTOR LEADS EXIT AS SHOWN

2 FAN LEADS EXIT AS SHOWN

3. REFERENCE AIRSQUARED.COM FOR SPECIFIC PERFORMANCE SPECIFICATIONS

4. MOTOR INFO (REFERENCED):
 AMP LIMIT: 16.4
 TEMPERATURE LIMIT: 130°C
 # OF POLES/STEPS: 8
 VOLT RATING: 24VDC
 RPM RATING: 3000

DEFAULT TOLERANCES:
 UNLESS OTHERWISE SPECIFIED
 DIMENSIONS ARE IN MM

.X ± 0.5
 .XX ± 0.10
 .XXX ± 0.050
 ANGULAR ± 1.0°

BREAK CORNERS OF
 MACHINED EDGES APPROX.
 (0.30 C/R MAX)

INTERPRET DRAWING PER
 ASME Y14.5-2009

CONFIDENTIAL
 THIS DOCUMENT AND THE DATA DISCLOSED
 HEREIN OR HERewith IS NOT TO BE
 REPRODUCED, USED, OR DISCLOSED IN
 WHOLE OR IN PART TO ANYONE WITHOUT
 THE PERMISSION OF AIR SQUARED, INC.

MATERIAL:

SEE COMPONENTS

DRAWN: JVANSICKLE 7/23/2015

DESIGNED:

CHECKED:

Air squared

DESCRIPTION:

V16H030A-A03 VACUUM
 PUMP - LAYOUT

SIZE PART NO. REV.

B V16H030A-A03 0

SCALE: 1:3 APPROX. WEIGHT: g SHEET 2 OF 2