

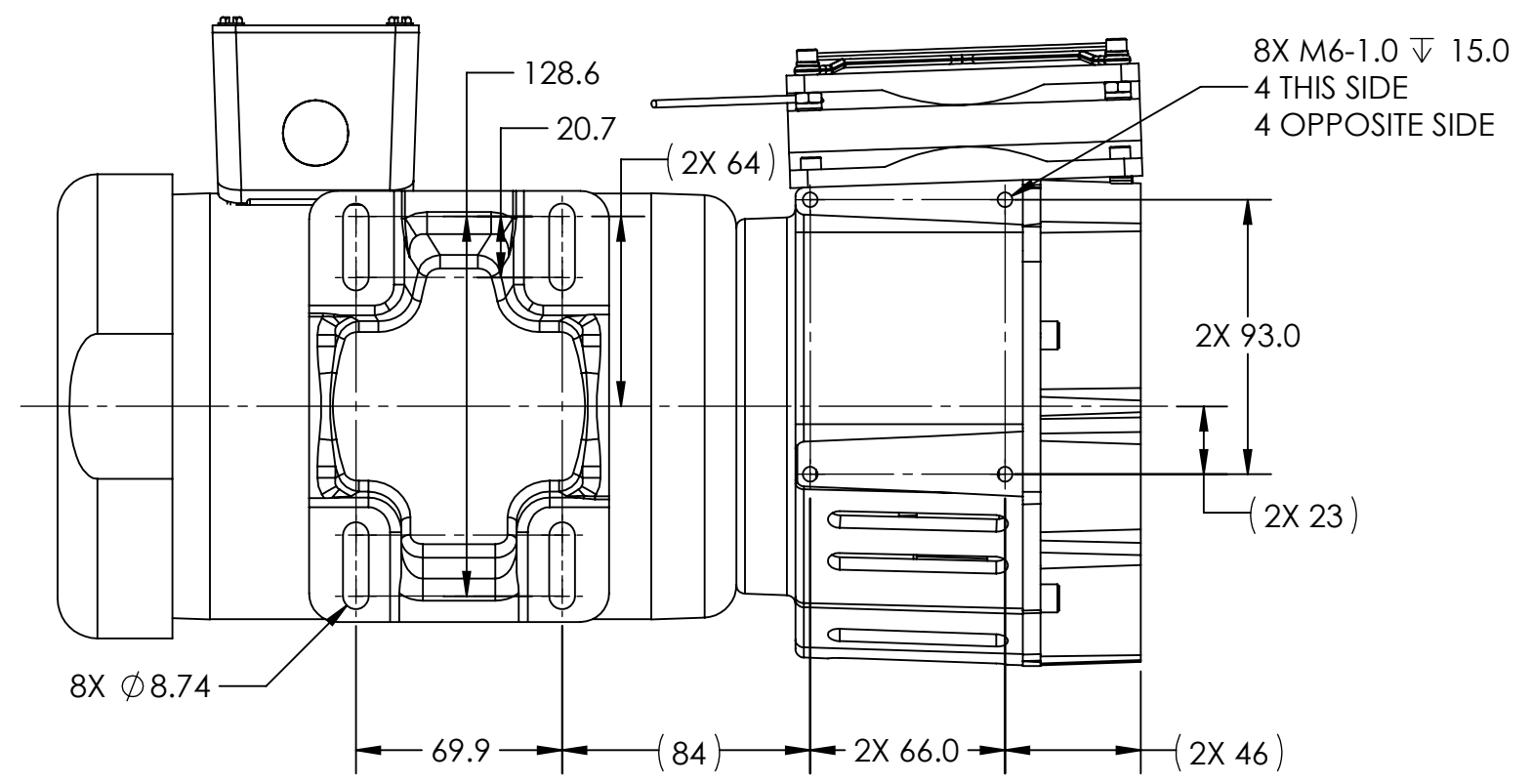
CONFIDENTIAL.  
THIS DOCUMENT AND  
THE DATA DISCLOSED  
HEREIN OR HERewith IS  
NOT TO BE  
REPRODUCED, USED, OR  
DISCLOSED IN WHOLE  
OR IN PART TO ANYONE  
WITHOUT THE  
PERMISSION OF AIR  
SQUARED, INC.

**Air squared**

DESCRIPTION:  
V16H030A-A02 SCROLL VACUUM  
PUMP - SALES LAYOUT

DIMENSIONS ARE IN MM  
SHEET 1 OF 2 SCALE: 1:2

SIZE	PART NO.	REV.
<b>B</b>	V16H030A-A02	0



DEFAULT TOLERANCES:  
UNLESS OTHERWISE SPECIFIED  
DIMENSIONS ARE IN MM

.X ± 0.5  
.XX ± 0.10  
.XXX ± 0.050  
ANGULAR ± 1.0°

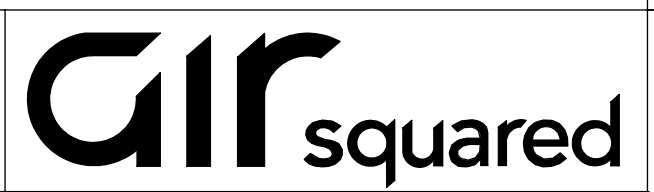
BREAK CORNERS OF  
MACHINED EDGES APPROX.  
(0.30 C/R MAX)

INTERPRET DRAWING PER  
ASME Y14.5-2009

CONFIDENTIAL  
THIS DOCUMENT AND THE DATA DISCLOSED  
HEREIN OR HERewith IS NOT TO BE  
REPRODUCED, USED, OR DISCLOSED IN  
WHOLE OR IN PART TO ANYONE WITHOUT  
THE PERMISSION OF AIR SQUARED, INC.

MATERIAL:  
**SEE COMPONENTS**

DRAWN:	JVANSICKLE	3/25/2014
DESIGNED:	JVANSICKLE	2/21/2014
CHECKED:		



DESCRIPTION:  
**V16H030A-A02 VACUUM  
PUMP**

SIZE	PART NO.	REV.
<b>B</b>	<b>V16H030A-A02</b>	<b>0</b>
SCALE: 1:5		APPROX. WEIGHT: 34995.88 g
SHEET 2 OF 2		