

WIRES EXIT FROM  
BOTTOM OF MOTOR

WIRES EXIT FROM  
BACK OF FAN

1397±30  
MOLEX  
428180312  
428170012

203±15  
DELPHI CONNECTOR  
12146045  
12092844-B  
12084200  
1204886-B

5X M8X1.25 - 6H ∇ 25  
MOUNTING HOLES

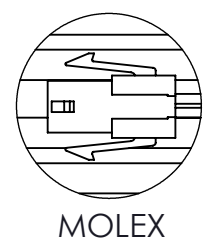
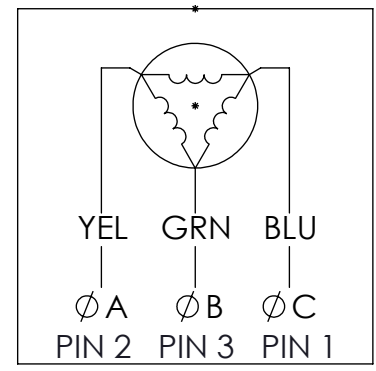
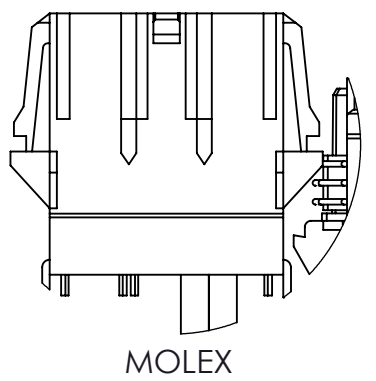
INLET PORT: 1" ELBOW

OUTLET PORT: 1.5" ELBOW

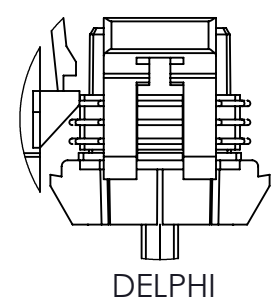
FRONT VIEW

BACK VIEW

4X M8X1.25 - 6H ∇ 25  
MOUNTING HOLES

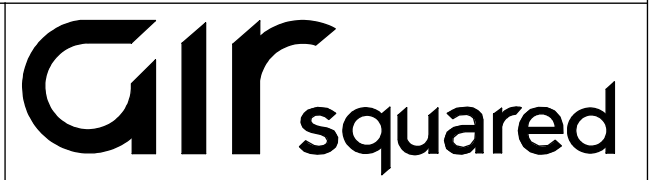


MOLEX  
430200400  
430310008  
PIN 1: BLK (GND)  
PIN 2: RED (V+)



WIRE COLOR	SIGNAL
BLACK	GND
YELLOW	S1
GREEN	S2
BLUE	S3
RED	V+

CONFIDENTIAL.  
THIS DOCUMENT AND  
THE DATA DISCLOSED  
HEREIN OR HERewith IS  
NOT TO BE  
REPRODUCED, USED, OR  
DISCLOSED IN WHOLE  
OR IN PART TO ANYONE  
WITHOUT THE  
PERMISSION OF AIR  
SQUARED, INC.



DESCRIPTION:  
SALES LAYOUT

DIMENSIONS ARE IN MM  
SHEET 1 OF 1 SCALE: 1:5

SIZE PART NO. REV.  
**B** P22H060A-A02 0