

# P24H056A-BLDC

## Scroll Air Compressor

### 100% Oil-Free

Maintain the purity of your system

### Compact, Lightweight Design

Fewer moving parts than competing technology

### Quiet, Smooth Operation

Dynamically balanced, valve-less, and near pulsation-free

### Efficient Performance

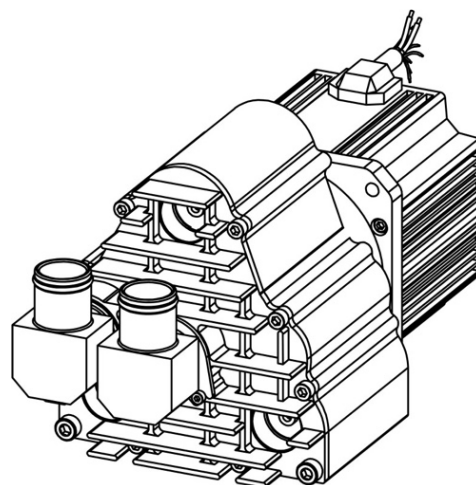
Continuous compression process with no re-expansion or throttling losses

### Reliable, Durable Solution

Long product life and simple field maintenance

### Variable Speed

Ideal performance over a range of duty cycles – 100% continuous to intermittent



Certified to  
ISO 9001:2008



Precisely Right.

|                     | SI                         | IMPERIAL                    |
|---------------------|----------------------------|-----------------------------|
| MAX. PRESSURE       | 1 bar <sub>g</sub>         | 14.5 psi <sub>g</sub>       |
| VOLUME RATIO        | 1.5                        |                             |
| MAX. FLOW           | 800 lpm <sub>v</sub>       | 28.25 cfm <sub>v</sub>      |
| DISPLACEMENT        | 203 cm <sup>3</sup> / Rev. | 12.4 in <sup>3</sup> / Rev. |
| MAX. SPEED          | 4,000 RPM                  |                             |
| RATED POWER         | 1.2 kW <sub>e</sub>        | 1.6 hp <sub>e</sub>         |
| RATED CURRENT       | 25 A                       |                             |
| MOTOR               | 48 V Brushless DC          |                             |
| COOLING             | External Cooling Required  |                             |
| AMBIENT TEMP. RANGE | -20 °C – 40 °C             | 0 °F – 104 °F               |
| NOMINAL SOUND LEVEL | 55 dB(A)                   |                             |
| NET WEIGHT          | 9.5 kg                     | 21 lb                       |
| PORT CONFIGURATION  | Elbow Fittings             |                             |
| MEDIA               | Air                        |                             |
| PART NUMBER         | P24H056A-A01               |                             |

### OPTIONAL CONFIGURATIONS

Custom Electrical Connector

### AVAILABLE ACCESSORIES

Brushless DC Controller

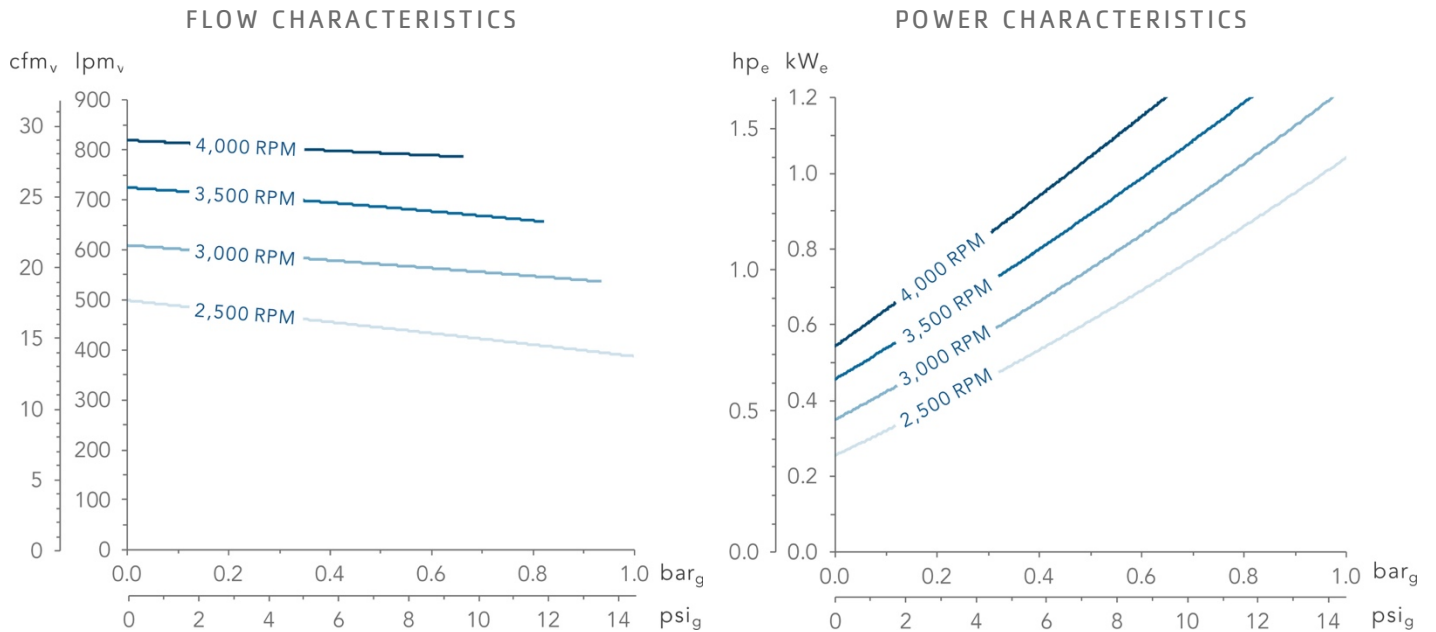
### CUSTOM REQUIREMENTS

Qualified OEMs should consult Air Squared for custom configurations and application specific requirements.

Contact info@airsquared.com.

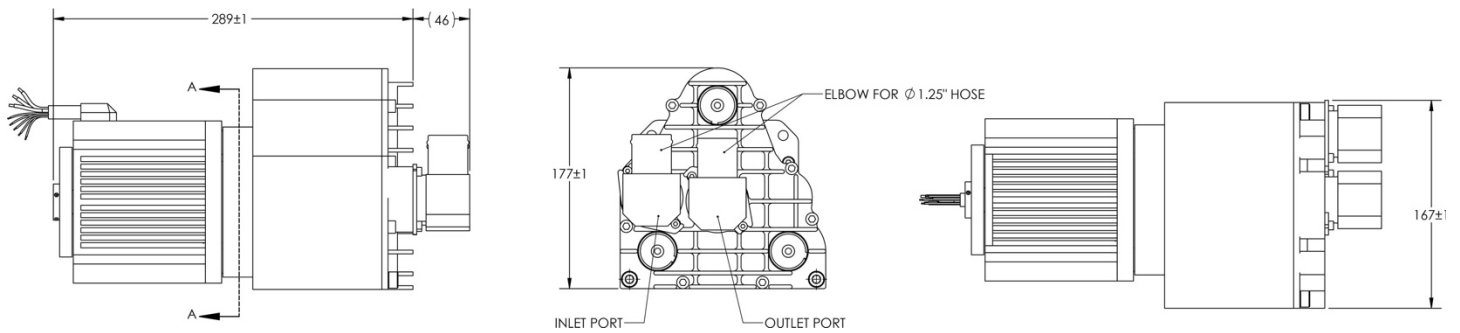
The information presented in this material is based on technical data and test results of nominal units. It is believed to be accurate and reliable. Air Squared does not warrant, guarantee, or assume liability in connection with this information. Picture, Performance, Dimensions, and Electrical information for reference use only - visit [airsquared.com](http://airsquared.com) for current specifications. Application conditions may adversely affect performance and product life. It is the responsibility of the user to determine the suitability of the product for intended use.

## Performance



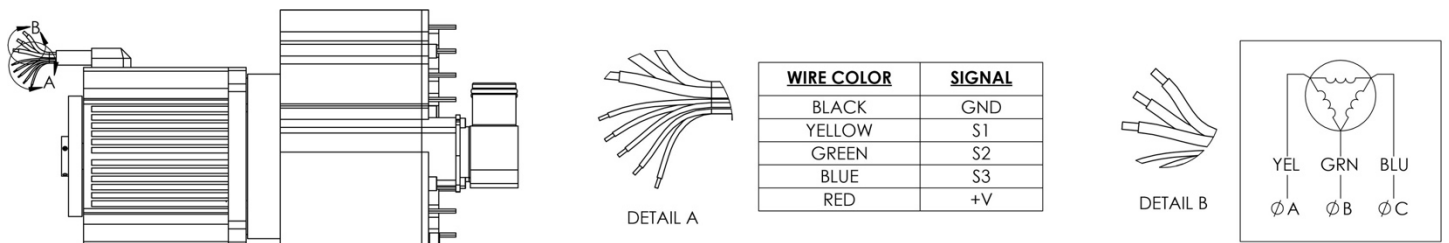
Flow Characteristics reflect nominal volume flow with air at NIST standard inlet conditions. Power Characteristics reflect nominal electric power consumption in Broomfield, CO USA with standard motor and controller losses.

## Dimensions



Dimensions in millimeters unless otherwise stated.

## Electrical



Brushless DC motors are variable speed. Electronic controller module is required for operation.