

E25H074A-SH

10 kW Semi-Hermetic Scroll Expander

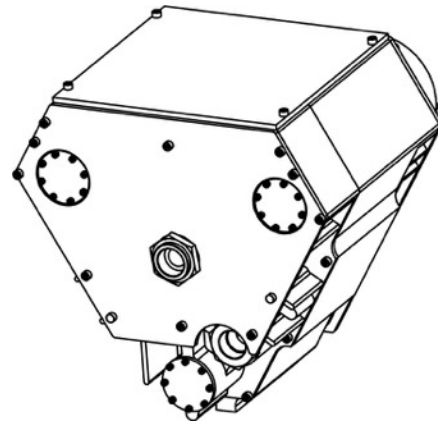
100% Oil-Free or Lubricated
 Operate with or without lubrication.

Semi-Hermetic Design
 No dynamic seals with patented magnetic coupling configuration.

Efficient Performance
 Volumetric efficiency up to 90% with lubrication, 80% without lubrication.

Quiet, Smooth Operation
 Dynamically balanced, valve-less, and near pulsation-free.

Reliable, Durable Solution
 Long product life and simple field maintenance.



	SI	IMPERIAL
NOMINAL OUTPUT	10 kW _e	13.4 hp _e
VOLUME RATIO	2	
DISPLACEMENT	420 cm ³ / Rev.	25.6 in ³ / Rev.
MAX. SPEED	2,600 RPM	
MAX. INLET PRESSURE	10 bar _a	145 psi _a
MAX. INLET TEMP.	160 °C	320 °F
AMBIENT TEMP. RANGE	-20 °C – 40 °C	0 °F – 104 °F
NOMINAL SOUND LEVEL	65 dB(A)	
NET WEIGHT	64 kg	140 lb
PORT CONFIGURATION	1" NPT Adaptor Fitting	
MEDIA	Refrigerant, Other	
PART NUMBER	E25H074A-A01	

OPTIONAL CONFIGURATIONS

Custom Flange Hub Shaft Dimensions

CUSTOM REQUIREMENTS

Qualified OEMs should consult Air Squared for custom configurations and application specific requirements.

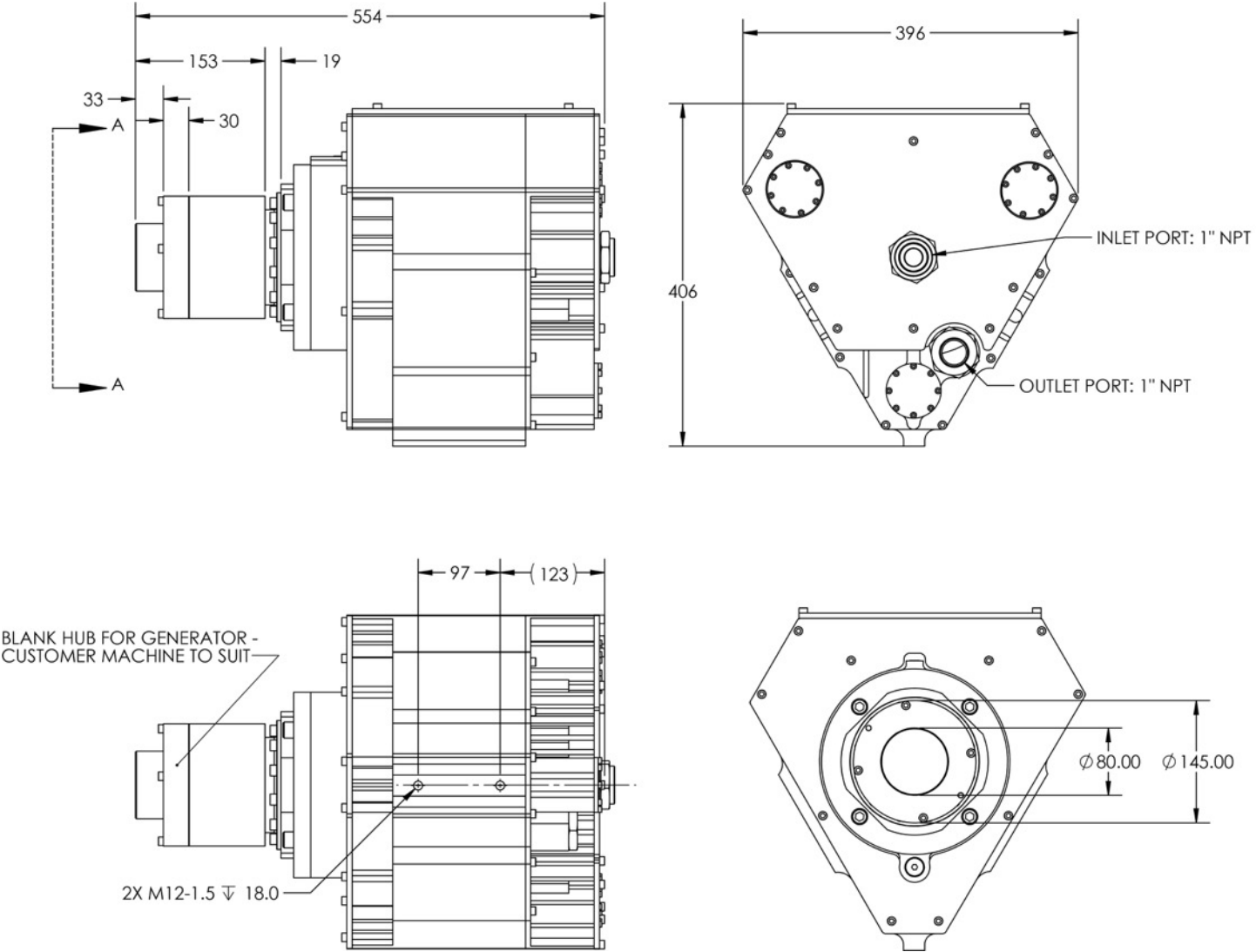
Contact info@airsquared.com.

The information presented in this material is based on technical data and test results of nominal units. It is believed to be accurate and reliable. Air Squared does not warrant, guarantee, or assume liability in connection with this information.

Picture, Performance, Dimensions, and Electrical information for reference use only - visit airsquared.com for current specifications.

Application conditions may adversely affect performance and product life. It is the responsibility of the user to determine the suitability of the product for intended use.

Dimensions



Dimensions in millimeters unless otherwise stated.