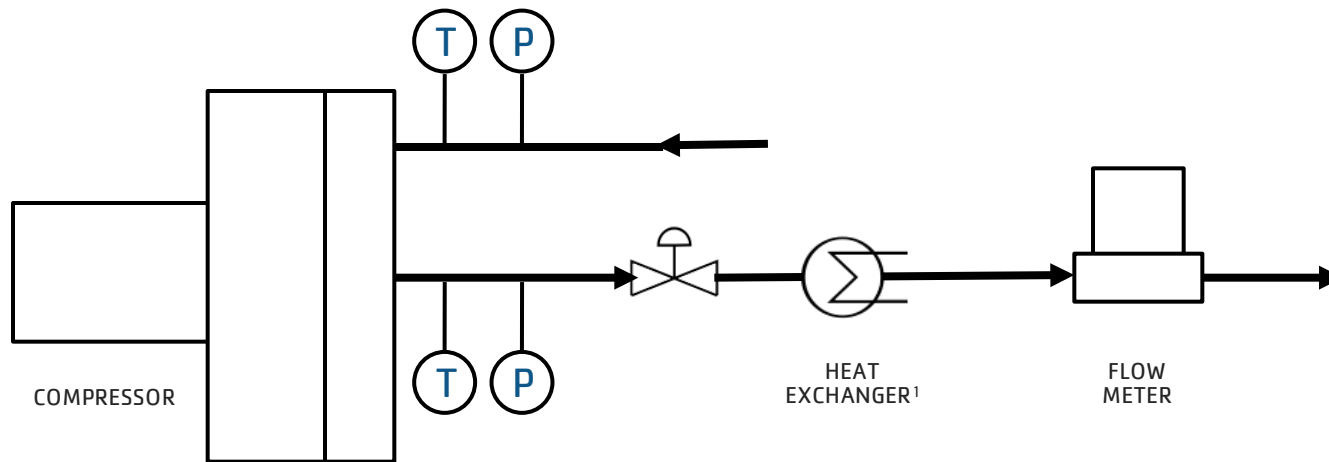


Air Compressor Test Bench Schematic

Standard bench design for testing Air Squared scroll air compressors.



Notes

- Temperature Probe
- Pressure Gauge
- Manual Throttling Valve

1. A heat exchanger is generally only required during high-temperature or high-pressure testing, to avoid damaging the flow meter with high discharge temperatures. Reference flow meter specifications and incorporate if necessary.