


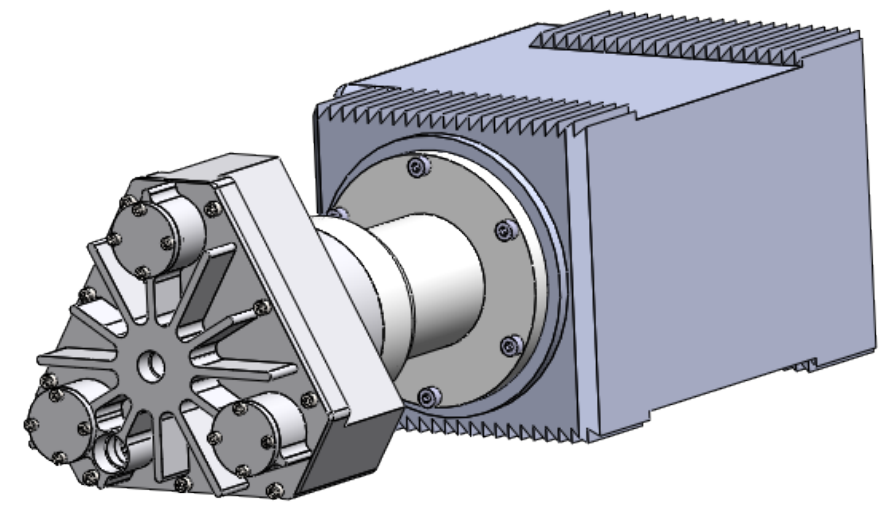
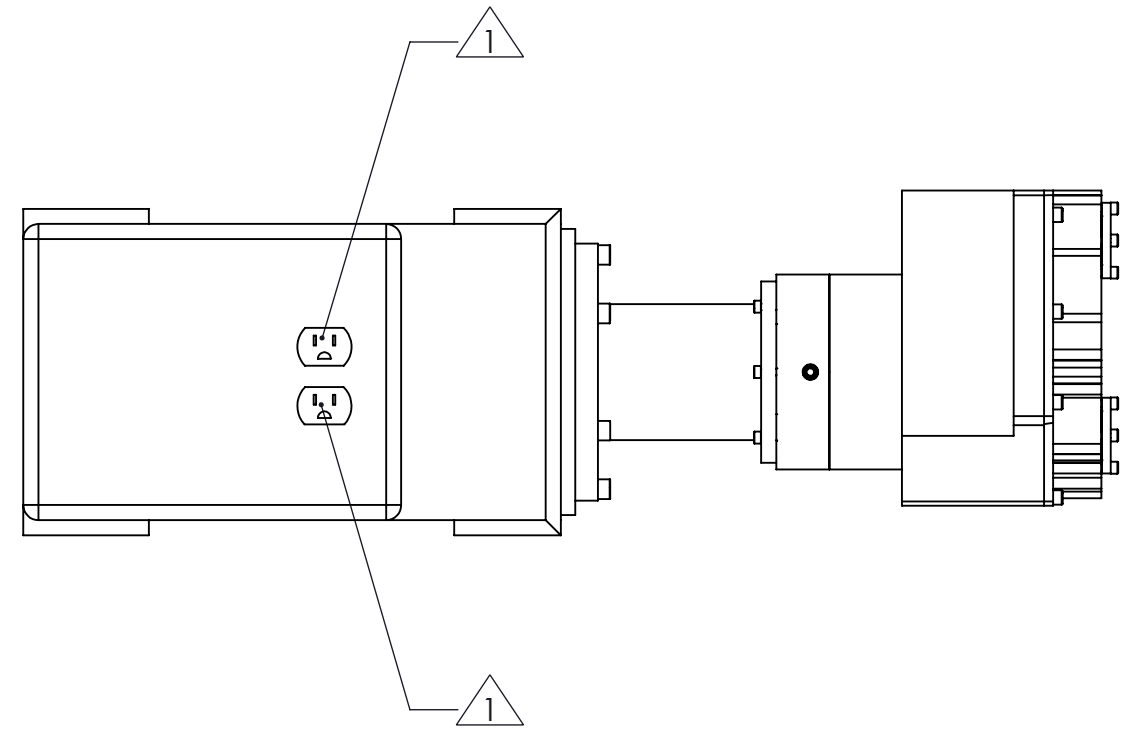
- 1 GENERATOR OUTLETS
- 2 FAN LEADS EXIT FROM SHOWN. BARE LEADS TYPICAL.
- 3 PROPER OPERATING DIRECTION WHEN VIEWED FROM RESPECTIVE ORIENTATION.
- 4 WORKING FLUID INLET PORT: 1/2" NPT
- 5 WORKING FLUID OUTLET PORT: 3/4" NPT
- 6 MOUNTING PROVISIONS
- 7 FAN AIRFLOW DIRECTION
- 8 MAXIMUM ALLOWABLE INPUT CURRENT TO THE CONTROLLER AT NOMINAL VOLTAGE.


EXPANDER SPECIFICATIONS		
VOLUME RATIO	3.5	
SUCTION VOLUME	14.5 cc	
MAX PRESSURE	13.8 Bar _g	200 PSI _g
MASS	30 kg	65 Lb
RATED SPEED	3600 RPM	
GENERATOR SPECIFICATIONS		
NOMINAL VOLTAGE	115 V	
FREQUENCY	60 HZ	

DEFAULT TOLERANCES: X. ± 2.0 .X ± 1.0 .XX ± 0.50 .XXX ± 0.100 ANGULAR ± 3.0°	CONFIDENTIAL. THIS DOCUMENT AND THE DATA DISCLOSED HEREIN OR HERewith IS NOT TO BE REPRODUCED, USED, OR DISCLOSED IN WHOLE OR IN PART TO ANYONE WITHOUT THE PERMISSION OF AIR SQUARED, INC.			
		DESCRIPTION: SALES LAYOUT		
INTERPRET DRAWING PER ASME Y14.5-2009	DIMENSIONS ARE IN MM SHEET 1 OF 2 SCALE: 1:10	SIZE B	PART NO. E15H022A-A04	REV. 7

8 7 6 5 4 3 2 1

D
C
B
A



DEFAULT TOLERANCES: X. ± 2.0 .X ± 1.0 .XX ± 0.50 .XXX ± 0.100 ANGULAR ± 3.0°	CONFIDENTIAL. THIS DOCUMENT AND THE DATA DISCLOSED HEREIN OR HERewith IS NOT TO BE REPRODUCED, USED, OR DISCLOSED IN WHOLE OR IN PART TO ANYONE WITHOUT THE PERMISSION OF AIR SQUARED, INC.			
	INTERPRET DRAWING PER ASME Y14.5-2009		DESCRIPTION: SALES LAYOUT	
DIMENSIONS ARE IN MM SHEET 2 OF 2 SCALE: 1:10		SIZE B	PART NO. E15H022A-A04	REV. 7

8 7 6 5 4 3 2 1