

- ① GENERATOR OUTLETS
- ② FAN LEADS EXIT FROM SHOWN. BARE LEADS TYPICAL.
- ③ PROPER OPERATING DIRECTION WHEN VIEWED FROM RESPECTIVE ORIENTATION.
- ④ WORKING FLUID INLET PORT: 1/2" NPT
- ⑤ WORKING FLUID OUTLET PORT: 3/4" NPT
- ⑥ MOUNTING PROVISIONS
- ⑦ FAN AIRFLOW DIRECTION
- ⑧ MAXIMUM ALLOWABLE INPUT CURRENT TO THE CONTROLLER AT NOMINAL VOLTAGE.

EXPANDER SPECIFICATIONS		
VOLUME RATIO	3.5	
SUCTION VOLUME	14.5 cc	
MAX PRESSURE	13.8 Bar _g	200 PSI _g
MASS	30 kg	65 Lb
RATED SPEED	3600 RPM	
GENERATOR SPECIFICATIONS		
NOMINAL VOLTAGE	220 V	
FREQUENCY	50 HZ	

DEFAULT TOLERANCES:

X. ± 2.0
 .X ± 1.0
 .XX ± 0.50
 .XXX ± 0.100
 ANGULAR ± 3.0°

INTERPRET DRAWING PER
 ASME Y14.5-2009

CONFIDENTIAL.
 THIS DOCUMENT AND
 THE DATA DISCLOSED
 HEREIN OR HERewith IS
 NOT TO BE
 REPRODUCED, USED, OR
 DISCLOSED IN WHOLE
 OR IN PART TO ANYONE
 WITHOUT THE
 PERMISSION OF AIR
 SQUARED, INC.

DIMENSIONS ARE IN MM
 SHEET 1 OF 2 SCALE: 1:10

Air squared

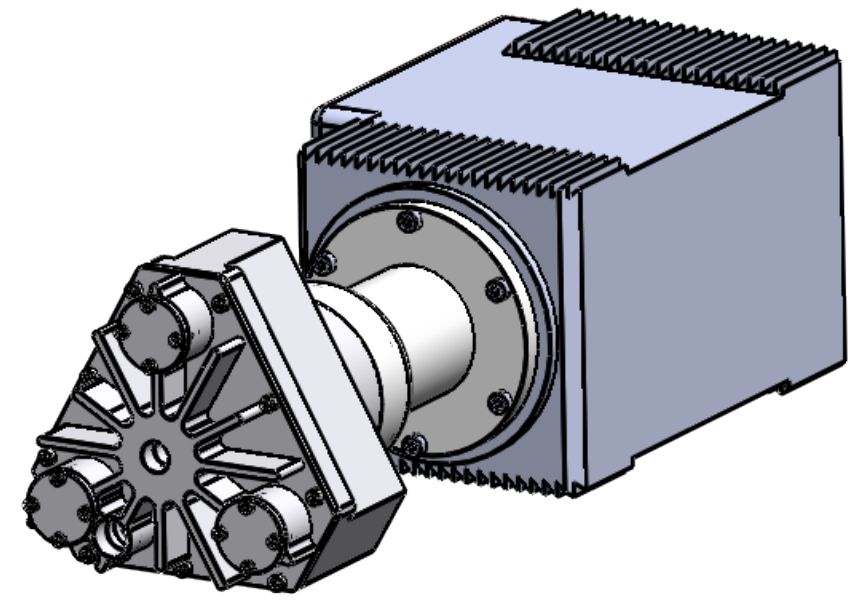
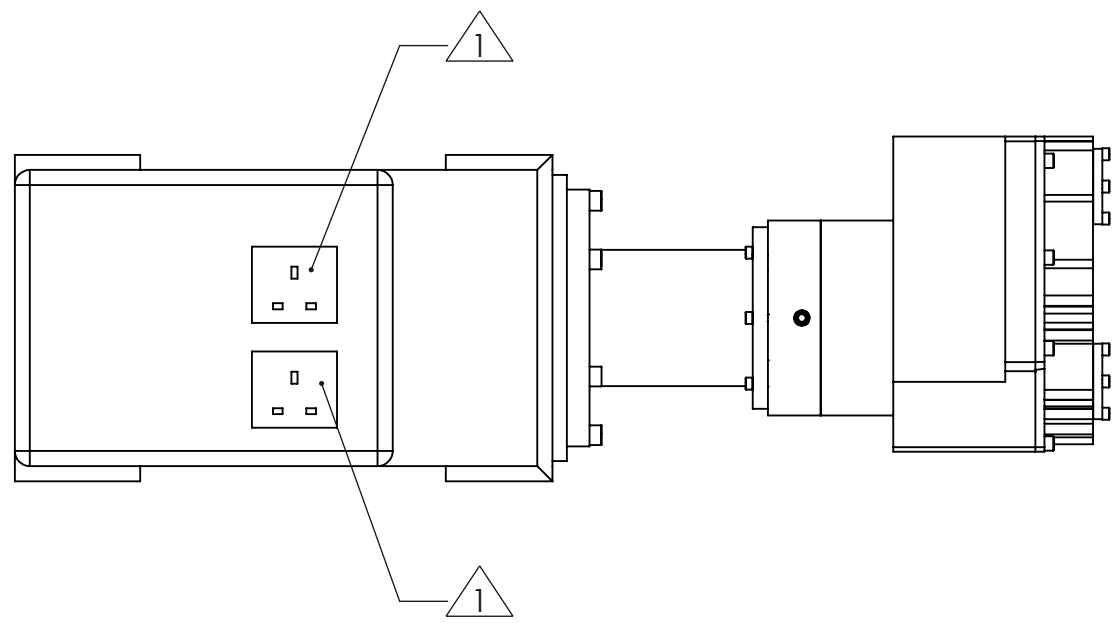
DESCRIPTION:
SALES LAYOUT


SIZE B	PART NO. E15H022A-A03	REV. 8
------------------	---------------------------------	------------------

8 7 6 5 4 3 2 1

D
C
B
A

D
C
B
A



DEFAULT TOLERANCES: X. ± 2.0 .X ± 1.0 .XX ± 0.50 .XXX ± 0.100 ANGULAR ± 3.0°	CONFIDENTIAL. THIS DOCUMENT AND THE DATA DISCLOSED HEREIN OR HERewith IS NOT TO BE REPRODUCED, USED, OR DISCLOSED IN WHOLE OR IN PART TO ANYONE WITHOUT THE PERMISSION OF AIR SQUARED, INC.			
	INTERPRET DRAWING PER ASME Y14.5-2009		DESCRIPTION: SALES LAYOUT	
DIMENSIONS ARE IN MM SHEET 2 OF 2 SCALE: 1:10		SIZE B	PART NO. E15H022A-A03	REV. 8

8 7 6 5 4 3 2 1