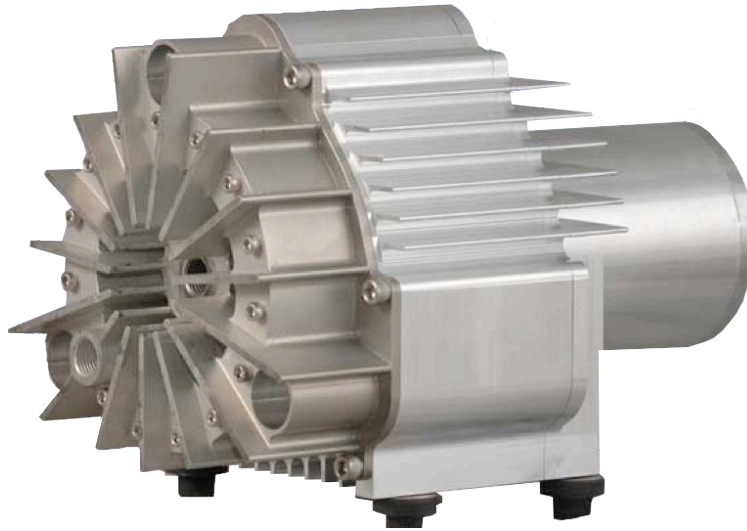


V12T22N4.0

Three-stage Scroll Vacuum Pump

40 Years of Scroll Technology



Certified to
ISO 9001:2008



Precisely Right.

Technical Overview

	US	World
Max. Vacuum	< 5 mtorr	< .006 mbar
Max. Flow	0.71 cfm	20 lpm
Rated Power	0.05 hp	40 W
Motor Type	Brushless DC (AC Optional)	
Avg. Sound Level	45 dB(A)	
Net Weight	11 lb	5.0 kg
Ambient Temp.	0°F - 104°F	-20°C - 40°C
Model Number	V12T22N4.0	

Product Features

- Ultra-high Vacuum Capability
- Patented Three-stage Design
- 100% Oil-Free
- Low Sound Levels
- Balanced, Smooth, Rotary Motion
- High Efficiency
- Long Product Life
- Continuous Duty
- Small Compact Design
- Lightweight
- Minimal Pulsation

Optional Configurations

- DC Controller Available For Purchase
- Cooling Fan

Qualified OEM designers should consult Air Squared Manufacturing, Inc. for custom configurations and application specific requirements. Contact info@airsquared.com.

The information presented in this material is based on technical data and test results of nominal units. It is believed to be accurate and reliable. Air Squared, Inc. does not warrant, guarantee, or assume liability in connection with this information.

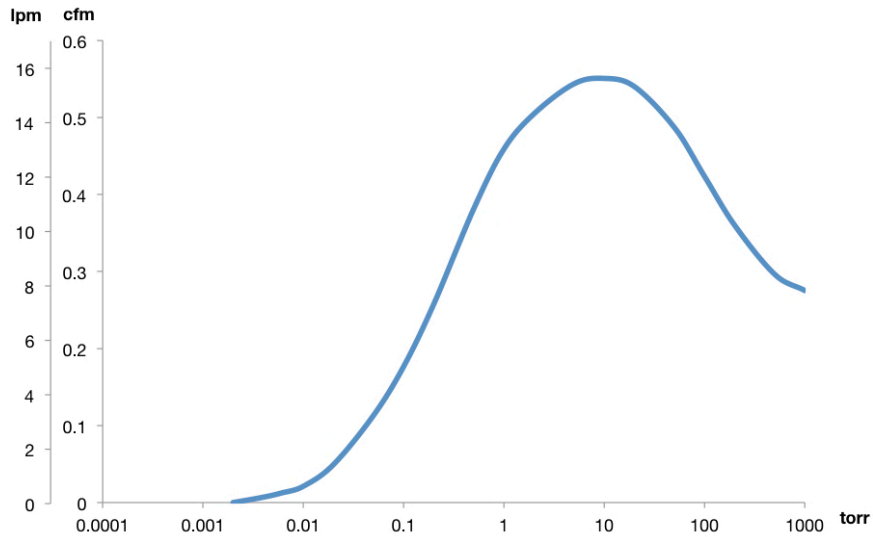
Application conditions may adversely affect performance and product life. It is the responsibility of the user to determine the suitability of the product for intended use.



V12T22N4.0

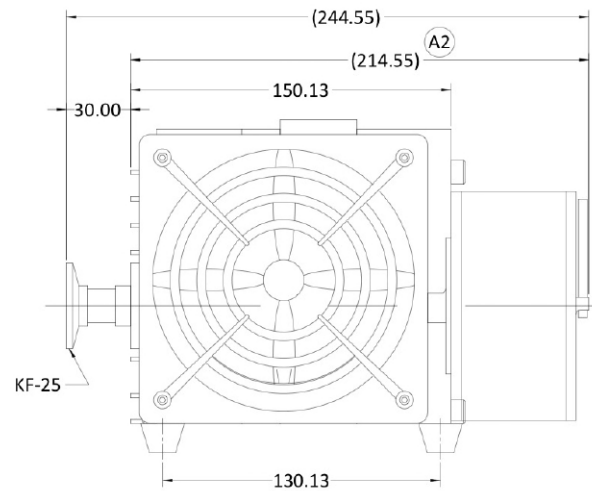
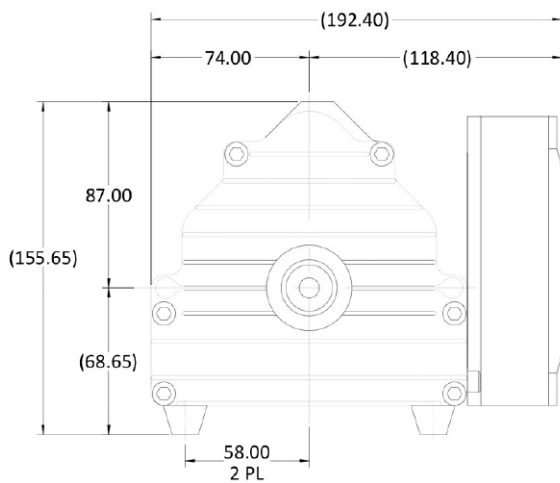
Performance (U.S., Metric)

Flow Characteristics



Data reflects volumetric flow of nominal units with standard Brushless DC motor and controller. Brushless DC motors are variable speed. Electronic controller module is required to operate Brushless DC motor.

Dimensions (mm)



Notes

- Adequate cooling is required in most applications.
- Custom configurations may be available. Contact info@airsquared.com for more information.



**Air Squared
Manufacturing, Inc.**

3001 Industrial Lane #3
Broomfield, CO 80020 USA
P: (303) 466-2669
F: (303) 466-4425
<http://airsquared.com>