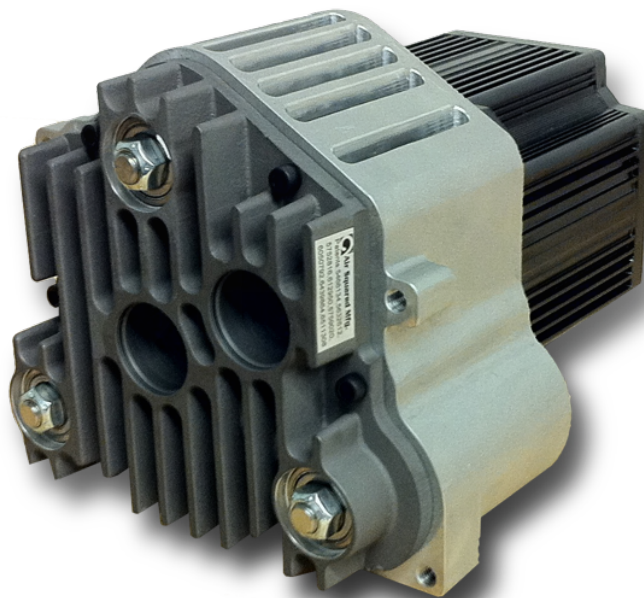


P22H40N2.5

Scroll Compressor

40 Years of Scroll Technology



Certified to
ISO 9001:2008



Precisely Right.

Technical Overview

	US	World
Max. Pressure	25 psig	1.72 barg
Max. Flow	14 cfm	400 lpm
Rated Power	1.34 hp	1 kW
Motor Type	Brushless DC	
Voltage	36V - 48V DC	
Avg. Sound Level	50 dB(A)	
Net Weight	24 lb	11 kg
Port Configuration	3/4" NPT	
Ambient Temp.	0°F - 104°F	-20°C - 40°C
Model Number	P22H40N2.5	

Product Features

- 100% Oil-Free
- Balanced, Smooth, Rotary Motion
- High Efficiency
- Long Product Life
- Continuous Duty
- Small Compact Design
- Minimal Pulsation
- Field Serviceable

Optional Configurations

- DC Controller Available For Purchase

Qualified OEM designers should consult Air Squared Manufacturing, Inc. for custom configurations and application specific requirements. Contact info@airsquared.com.

The information presented in this material is based on technical data and test results of nominal units. It is believed to be accurate and reliable. Air Squared, Inc. does not warrant, guarantee, or assume liability in connection with this information.

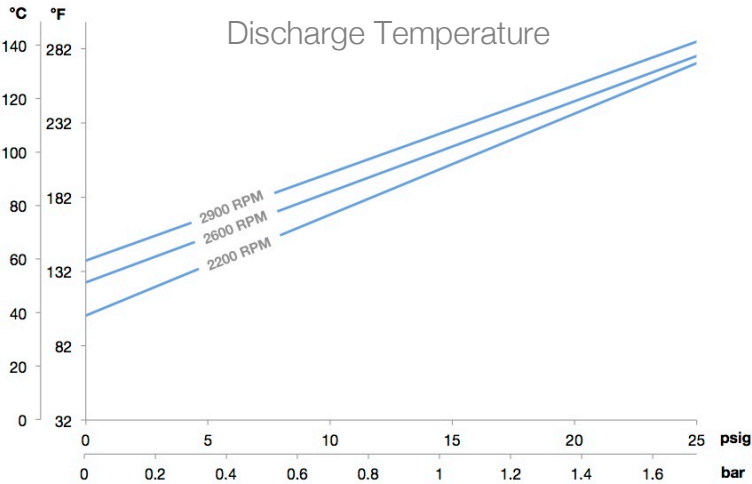
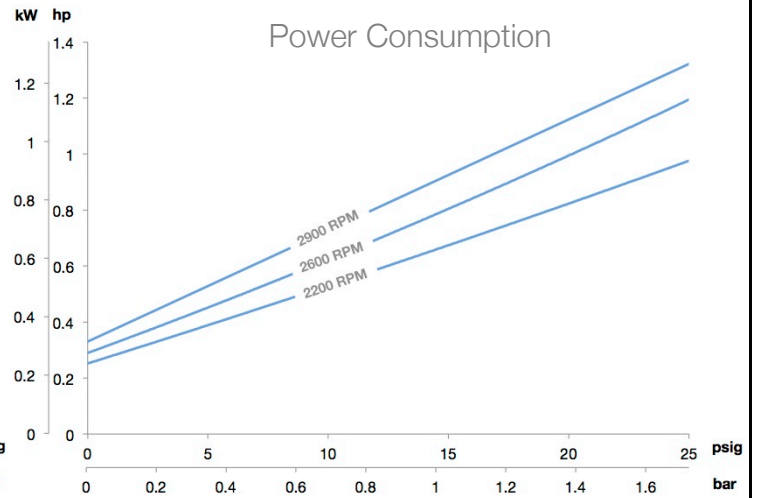
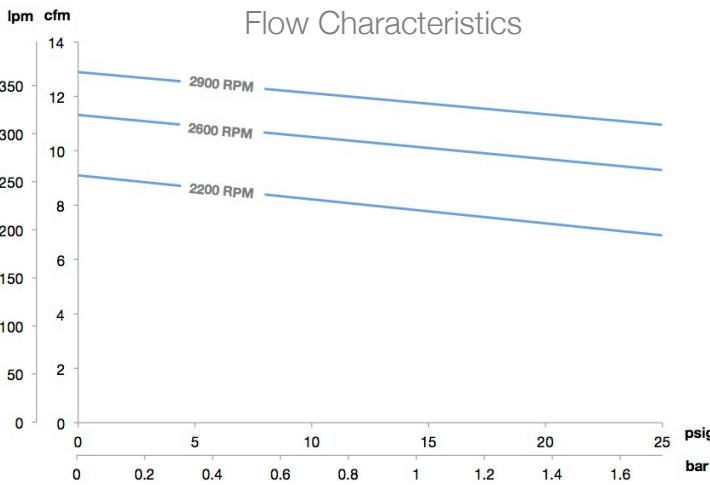
Application conditions may adversely affect performance and product life. It is the responsibility of the user to determine the suitability of the product for intended use.



Air Squared
Manufacturing, Inc.

P22H40N2.5

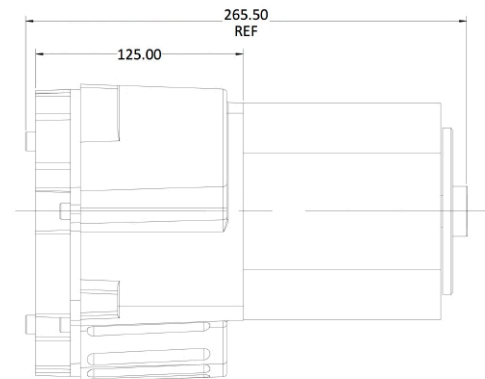
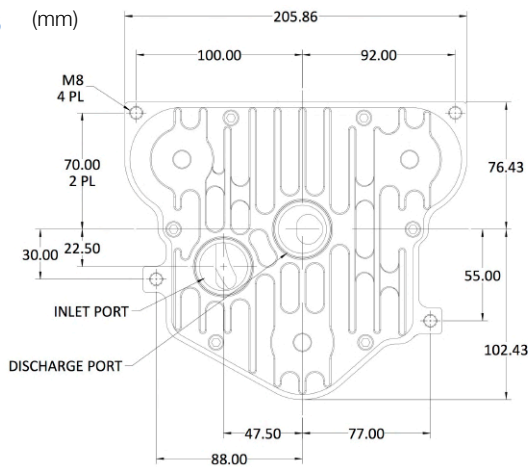
Performance (U.S., Metric)



Data reflects volumetric flow and electrical power consumption of nominal units with standard Brushless DC motor.

Brushless DC motors are variable speed. Electronic controller module is required to operate Brushless DC motor.

Dimensions (mm)



Notes

- Adequate cooling is required in most applications.
- Custom configurations may be available. Contact info@airsquared.com for more information.



**Air Squared
Manufacturing, Inc.**

3001 Industrial Lane #3
Broomfield, CO 80020 USA
P: (303) 466-2669
F: (303) 466-4425
<http://airsquared.com>