

P16H36N3.25

Scroll Compressor

40 Years of Scroll Technology



Certified to
ISO 9001:2008



Precisely Right.

Technical Overview

	US	World
Max. Pressure	35 psig	2.41 barg
Max. Flow	8.45 cfm	239 lpm
Rated Power	1.55 hp	1.16 kW
Motor Type	BLDC or AC	
Voltage	24V DC	
Avg. Sound Level	45 dB(A)	
Net Weight	14 lb	6.35 kg
Max. Amb. Temp.	140°F	60°C
Port Configuration	1/2" NPT	
Model Number	P16H36N3.25	
Part Numbers	091101	

Contact info@airsquared.com for custom design information or application specific requirements.

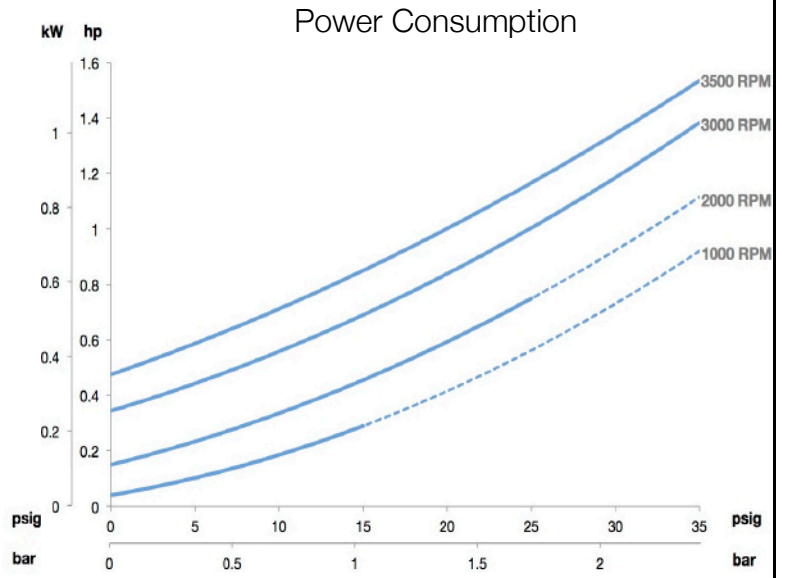
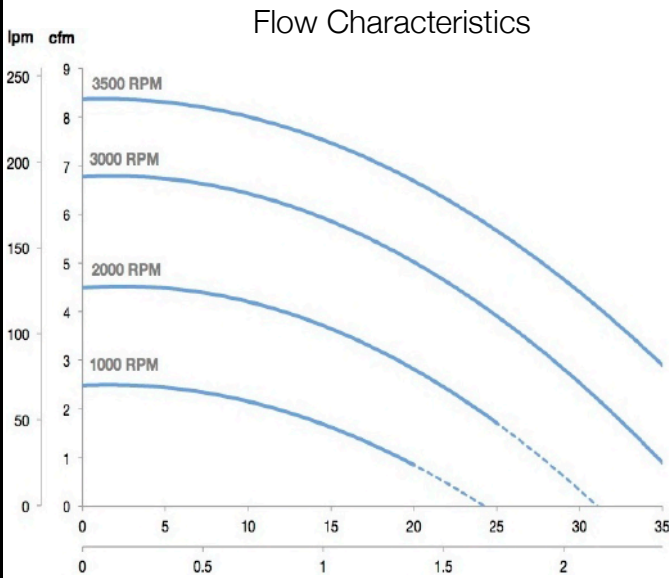
Product Features

- 100% Oil-Free
- Low Sound Levels
- Balanced, Smooth, Rotary Motion
- High Efficiency
- Long Product Life
- Continuous Duty
- Small Compact Design
- Lightweight
- Minimal Pulsation
- Field Serviceable

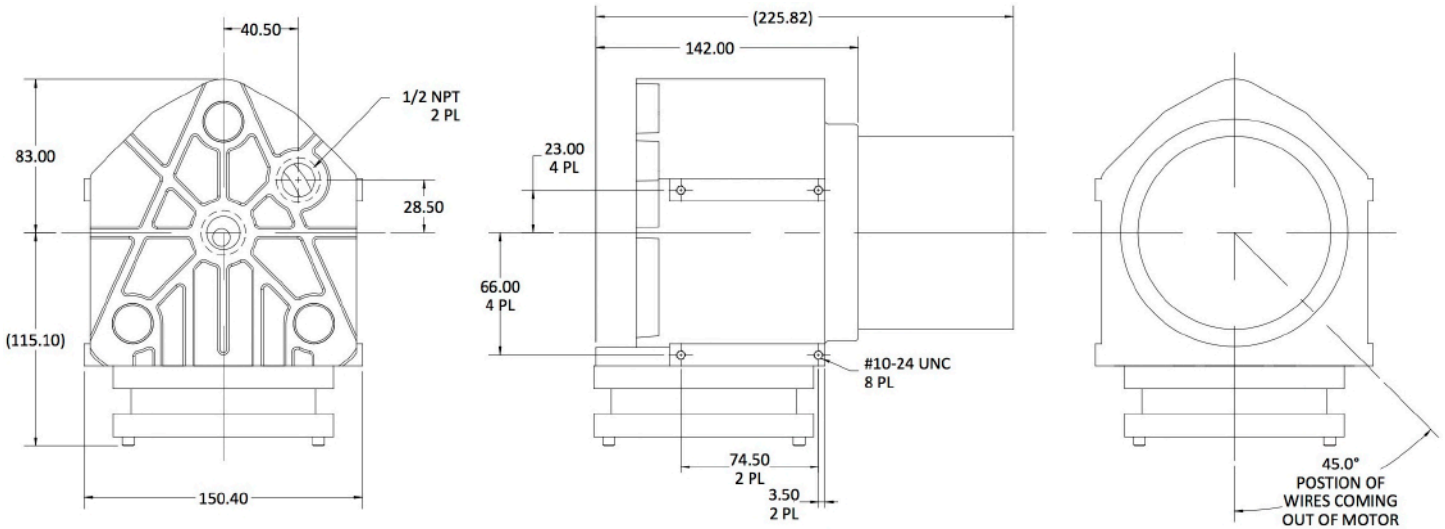


P16H36N3.25

Performance (U.S., Metric)



Dimensions (mm)



Notes



Air Squared
Manufacturing, Inc.

3001 Industrial Lane #3
Broomfield, CO 80020 USA
Phone: (303) 466-2669
www.airsquared.com