

# P22H38N4.25

## Scroll Compressor

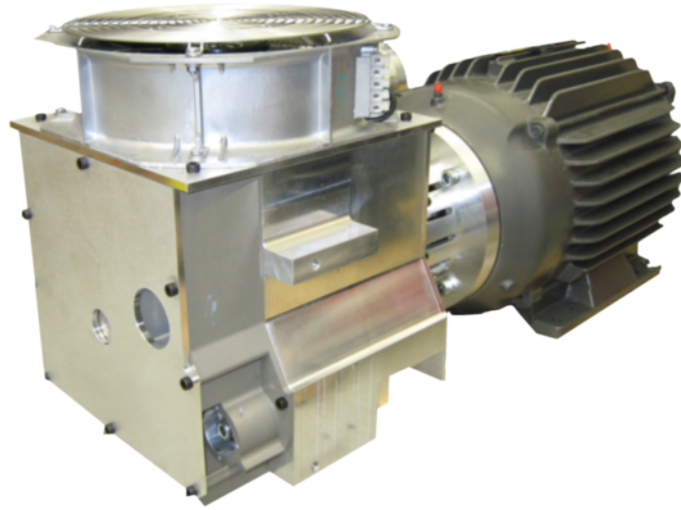
40 Years of Scroll Technology



Certified to  
ISO 9001:2008



Precisely Right.



### Technical Overview

	US	Europe
Max. Pressure	80 psig	5.52 barg
Max. Flow	15 cfm	425 lpm
Rated Power	4.5 hp	3350 W
Motor Type	AC	
Avg. Sound Level	60 dB(A)	
Max. Amb. Temp.	104°F	40°C
Model Number	P22H38N4.25	
Part Number	010407	

Contact [info@airsquared.com](mailto:info@airsquared.com) for custom design information or application specific requirements.

### Product Features

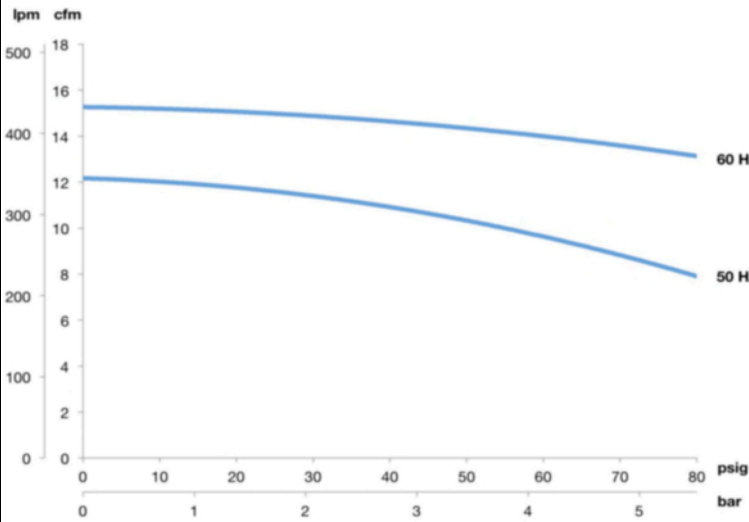
- 100% Oil-Free
- Low Sound Levels
- Balanced, Smooth, Rotary Motion
- High Efficiency
- Long Product Life
- Continuous Duty
- Minimal Pulsation
- Field Serviceable
- Hermetic
- Handles Air, Helium, Natural Gas, Oxygen, Hydrogen



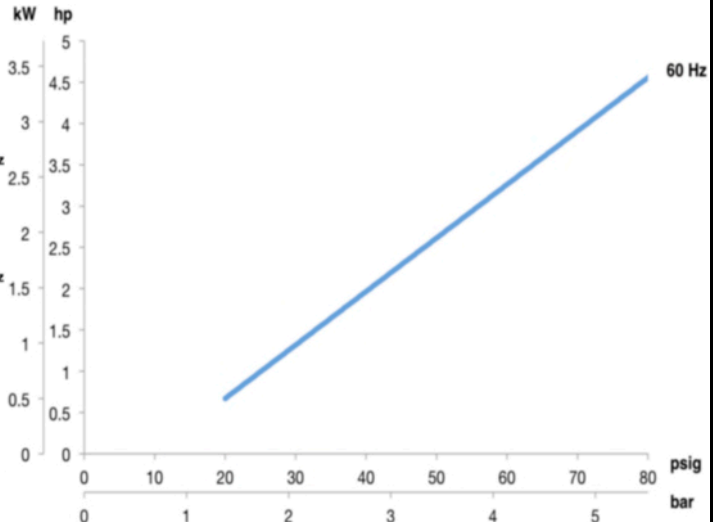
# P22H38N4.25

## Performance Data (U.S., Metric)

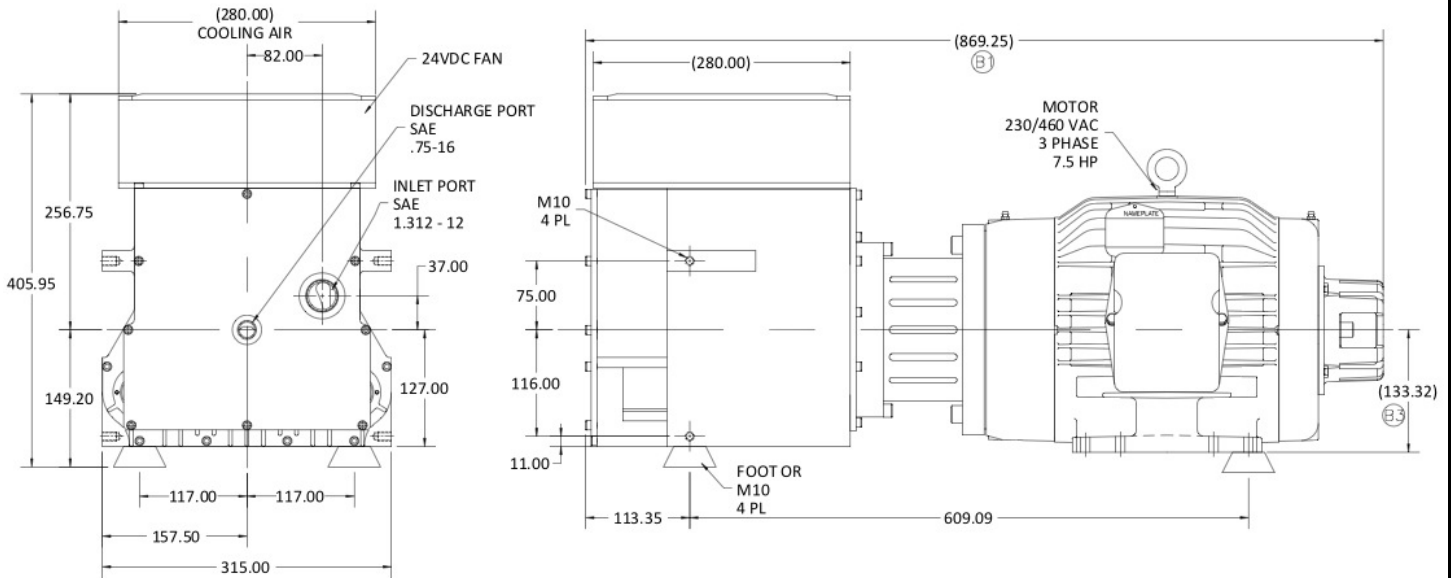
### Flow Characteristics



### Power Consumption



## Dimensions (mm)



## Notes



**Air Squared**  
Manufacturing, Inc.

3001 Industrial Lane #3  
Broomfield, CO 80020 USA  
Phone: (303) 466-2669  
www.airsquared.com