

E22H38N4.25

Scroll Expander

40 Years of Scroll Technology



Certified to
ISO 9001:2008



Precisely Right.



Technical Overview

Output	5 kW (nominal)	
Max. Pressure	200 psia	13.8 bar
Max. Flow	73.6 cm ³ /Rev.	
Max. Speed	3600 RPM	
Avg. Sound Level	55 dB(A)	
Working Fluid	Refrigerant	
Other Pressure Sources	Compressed Air	
Expansion Ratio	3.5	
Direct Drive	Any Rotary Equipment	
Model Number	E22H38N4.25 (Oil-free)	
	E22H38N4.25L (Lubricated)	
Part Numbers		

Contact info@airsquared.com for custom design information or application specific requirements.

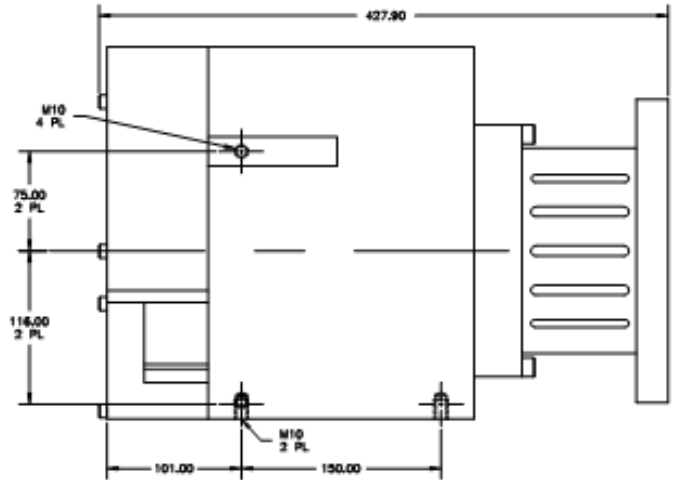
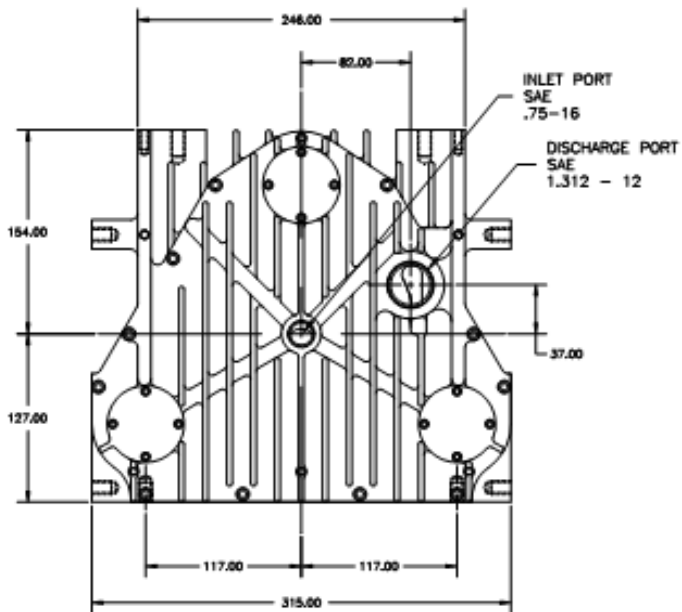
Product Features

- 100% Oil-Free or Lubricated
- Low Sound Levels
- Balanced, Smooth, Rotary Motion
- Minimal Pulsation
- Field Serviceable
- Magnetic Coupling
- Semi-Hermetic
- Handles Refrigerant and Other Gases



E22H38N4.25

Dimensions (mm)



Notes



Air Squared
Manufacturing, Inc.

3001 Industrial Lane #3
Broomfield, CO 80020 USA
Phone: (303) 466-2669
www.airsquared.com