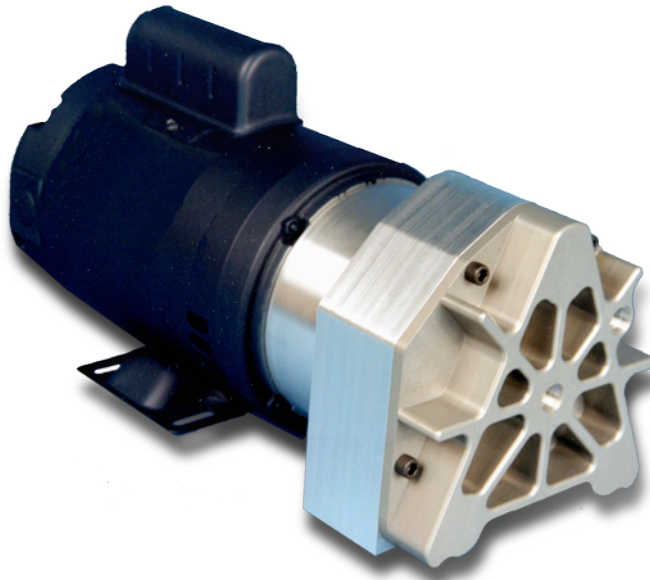


V16H30N3.25

Scroll Vacuum Pump

40 Years of Scroll Technology



Certified to
ISO 9001:2008



Precisely Right.

Technical Overview

	US	Europe
Max. Vacuum	< 0.5 torr	< 0.7 mbar
Max. Flow	7 cfm	200 lpm
Rated Power	1.07 hp	0.8 kW
Motor Type	AC or BLDC	
Avg. Sound Level	45 dB(A)	
Net Weight	14 lb	6.35 kg
Max. Amb. Temp.	104°F	40°C
Model Number	V16H30N3.25	
Part Numbers	050525	

Contact info@airsquared.com for custom design information or application specific requirements.

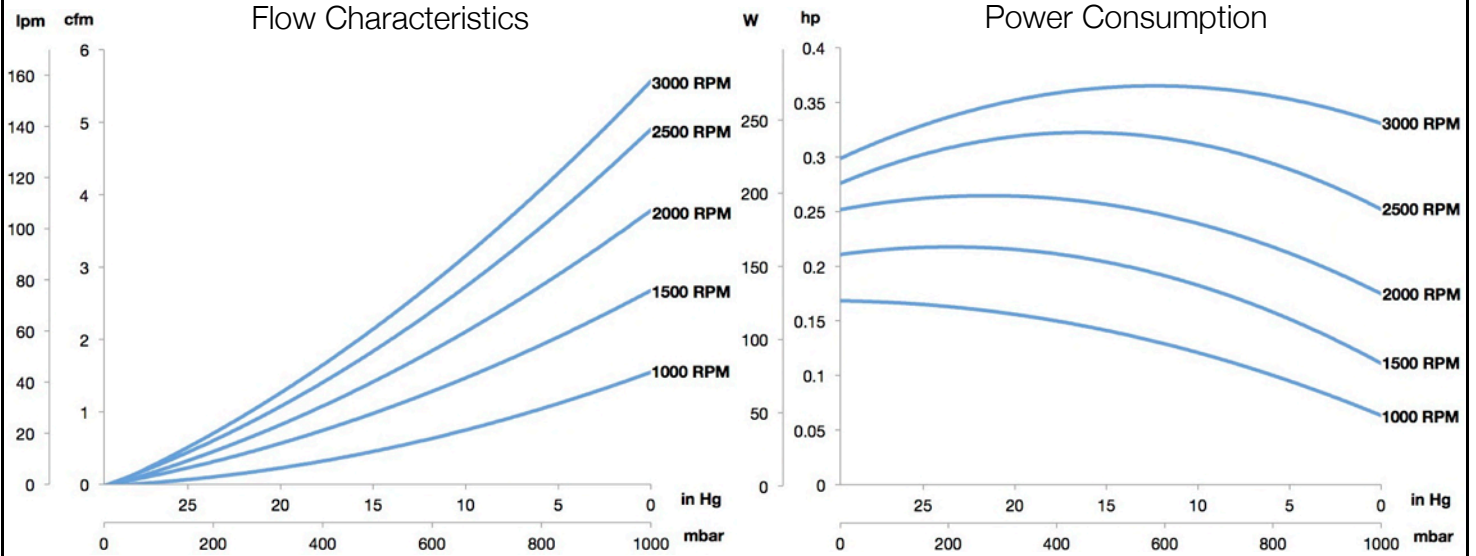
Product Features

- 100% Oil-Free
- Low Sound Levels
- Balanced, Smooth, Rotary Motion
- High Efficiency
- Long Product Life
- Continuous Duty
- Small Compact Design
- Lightweight
- Minimal Pulsation
- Field Serviceable



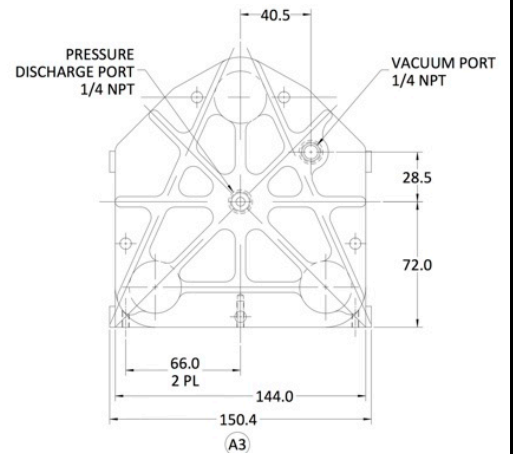
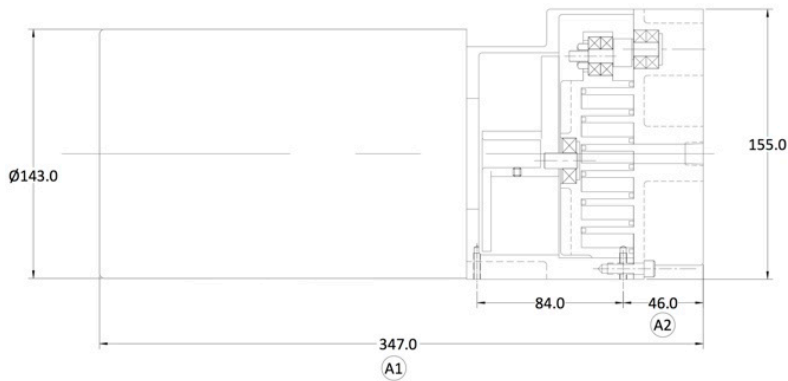
V16H30N3.25

Performance (U.S., Metric)

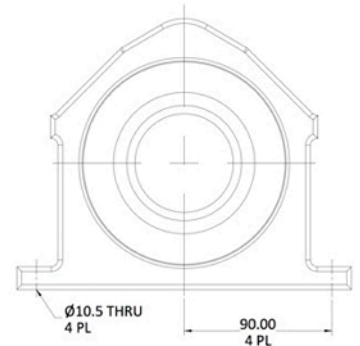
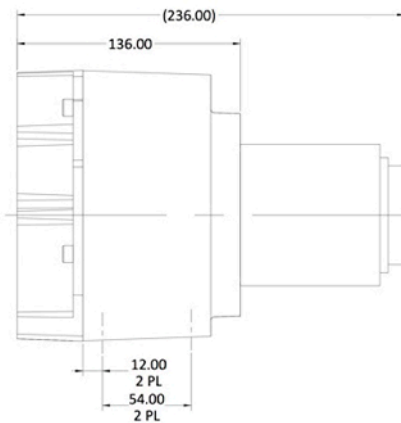
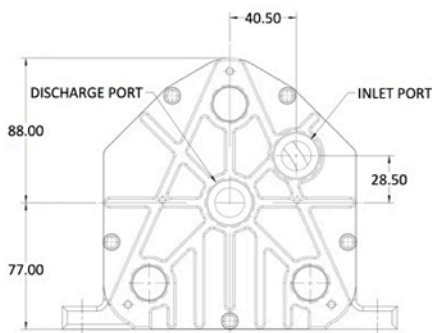


Dimensions (mm)

AC



BLDC



Notes



Air Squared
Manufacturing, Inc.

3001 Industrial Lane #3
Broomfield, CO 80020 USA
Phone: (303) 466-2669
www.airsquared.com